

RACE	BASIC SET-UP SHEET		
TRACK			
NAME			
CITY / COUNTRY			
CONTACT			

DATE			
TEMPERATURE / AIR	°f or °C	TRACK	
LAPS	FINAL POSITION	BEST LAP TIME/sec	RACE LENGTH/min.

TRACK SIZE	<input type="checkbox"/> OPEN	<input type="checkbox"/> MEDIUM	<input type="checkbox"/> TIGHT
TRACK TRACTION	<input type="checkbox"/> HIGH	<input type="checkbox"/> MEDIUM	<input type="checkbox"/> LOW
TRACK SURFACE	<input type="checkbox"/> SMOOTH	<input type="checkbox"/> MEDIUM	<input type="checkbox"/> BUMPY
TRACK TYPE	<input type="checkbox"/> HARD PACKED	<input type="checkbox"/> SOFT DIRT	<input type="checkbox"/> CLAY
	<input type="checkbox"/> BLUE GROOVE	<input type="checkbox"/> ASTRO TURF	<input type="checkbox"/> GRASS
TRACK CONDITION	<input type="checkbox"/> DRY	<input type="checkbox"/> DUSTY	<input type="checkbox"/> WET
	<input type="checkbox"/>	<input type="checkbox"/>	<input type="checkbox"/> MUD

DIFFERENTIALS		
TYPE		
FRONT	CENTER	REAR
STANDARD	STANDARD	STANDARD
DIFFERENTIAL - OIL		
10.000	10.000	5.000

GEARING			
CLUTCH BELL	13 T	SPUR GEAR	48 T
PINION	43 T	CROWN GEAR	10 T
SPRING	HARD	SHOE	1.71 Alu

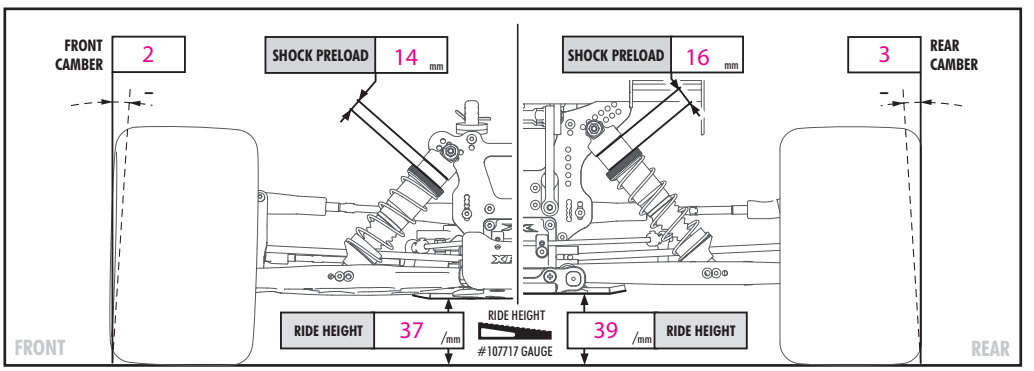
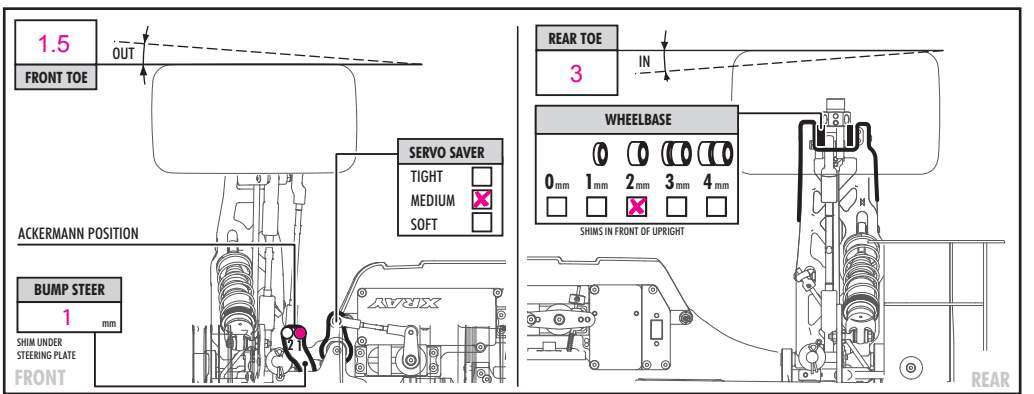
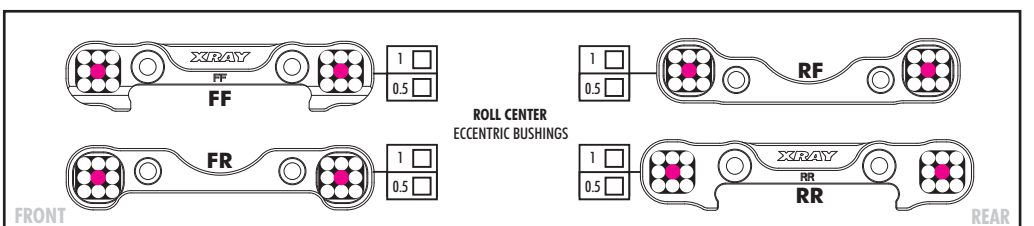
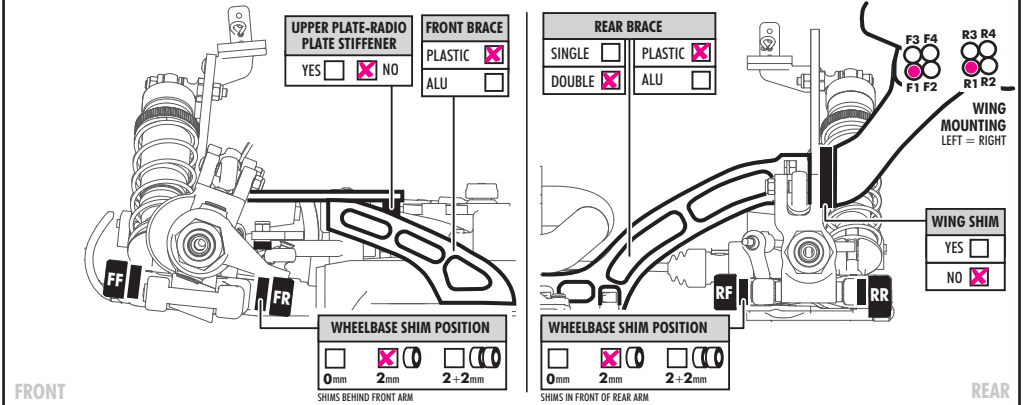
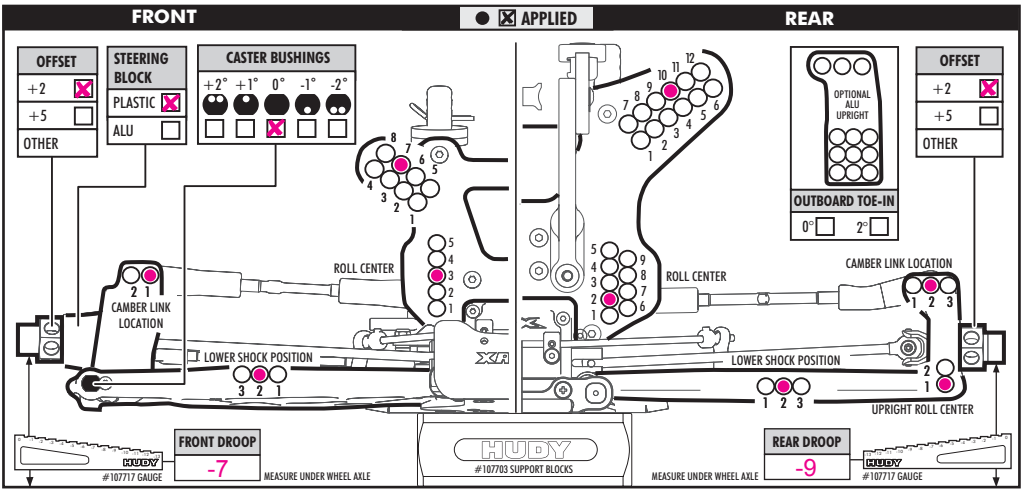
FRONT	SHOCKS		REAR
LINEAR SPRINGS			
#358186 = 0.86	<input type="checkbox"/>	BLUE <input type="checkbox"/> = 0.61	#358286
#358187 = 0.92	<input type="checkbox"/>	VIOLET <input type="checkbox"/> = 0.65	#358287
#358188 = 0.98	<input checked="" type="checkbox"/>	PINK <input checked="" type="checkbox"/> = 0.70	#358288
	OTHER		
450	OIL / cST		550
	REBOUND / %		
PISTONS			
<input checked="" type="checkbox"/> 6 HOLES	<input type="checkbox"/>	1.1mm <input type="checkbox"/>	6 HOLES <input checked="" type="checkbox"/>
<input type="checkbox"/> 8 HOLES	<input checked="" type="checkbox"/>	1.2mm <input checked="" type="checkbox"/>	8 HOLES <input type="checkbox"/>
<input type="checkbox"/> 10 HOLES	<input type="checkbox"/>	1.3mm <input type="checkbox"/>	10 HOLES <input type="checkbox"/>
	OTHERS		

FRONT	ANTI ROLL BAR	REAR
2.4	THICKNESS / mm	2.8

FRONT	TIRES		REAR
XRAY Thrax	TYPE	XRAY Thrax	
XRAY	INSERTS	XRAY	
XRAY XT9	WHEELS	XRAY XT9	

ENGINE	
TYPE	
MANIFOLD	
MUFFLER	
PLUG	
FUEL	

BODY	
TYPE	XRAY XT9



COMMENTS