

RACE	
TRACK	
NAME	
CITY / COUNTRY	
CONTACT	

DATE _____

TEMPERATURE / AIR _____ TRACK _____
 °F or °C

LAPS	FINAL POSITION	BEST LAP TIME/sec	RACE LENGTH/min.
------	----------------	-------------------	------------------

TRACK SIZE OPEN MEDIUM TIGHT

TRACK TRACTION HIGH MEDIUM LOW

TRACK SURFACE SMOOTH MEDIUM BUMPY

TRACK TYPE HARD PACKED SOFT DIRT CLAY
 BLUE GROOVE ASTRO TURF GRASS

TRACK CONDITION DRY DUSTY WET MUD

DIFFERENTIALS		
TYPE		
FRONT	CENTER	REAR
DIFFERENTIAL - OIL		

GEARING			
CLUTCH BELL	T	SPUR GEAR	T
PINION	T	CROWN GEAR	T
SPRING		SHOE	

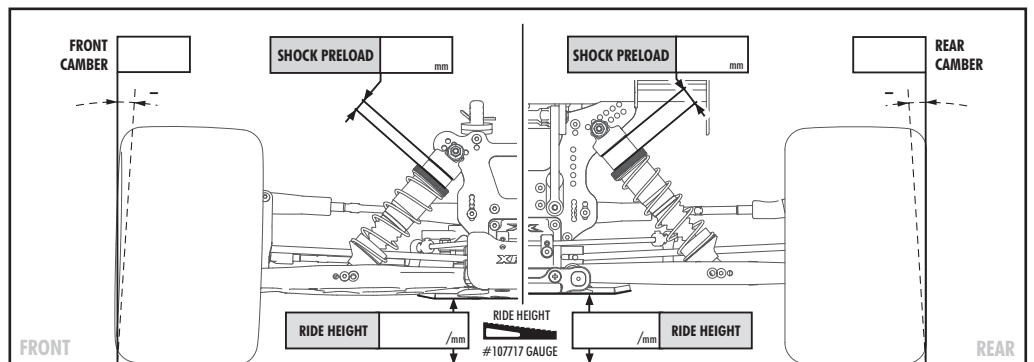
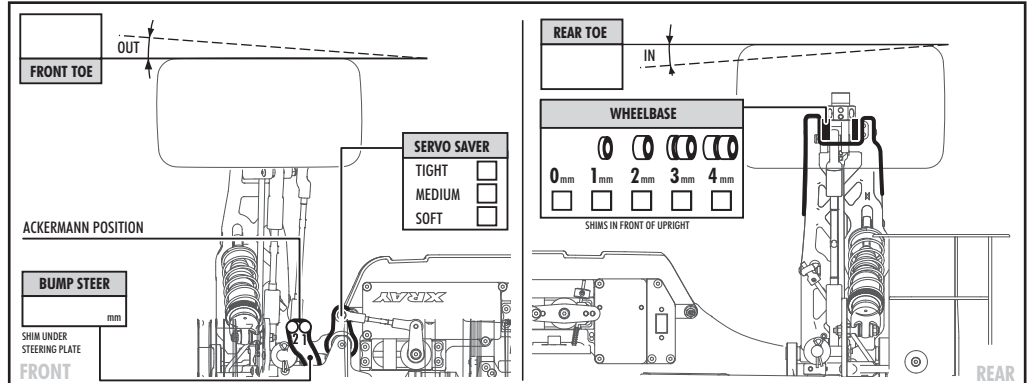
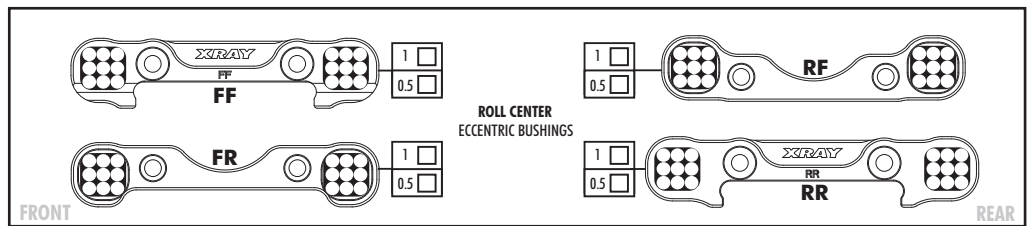
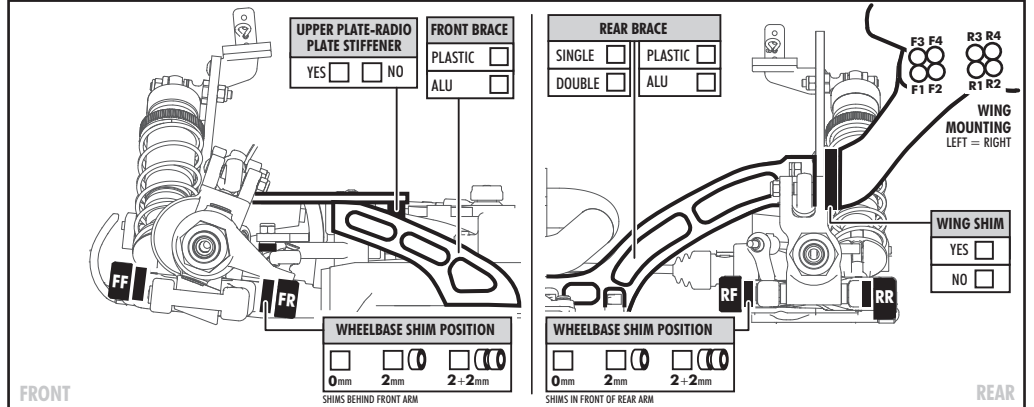
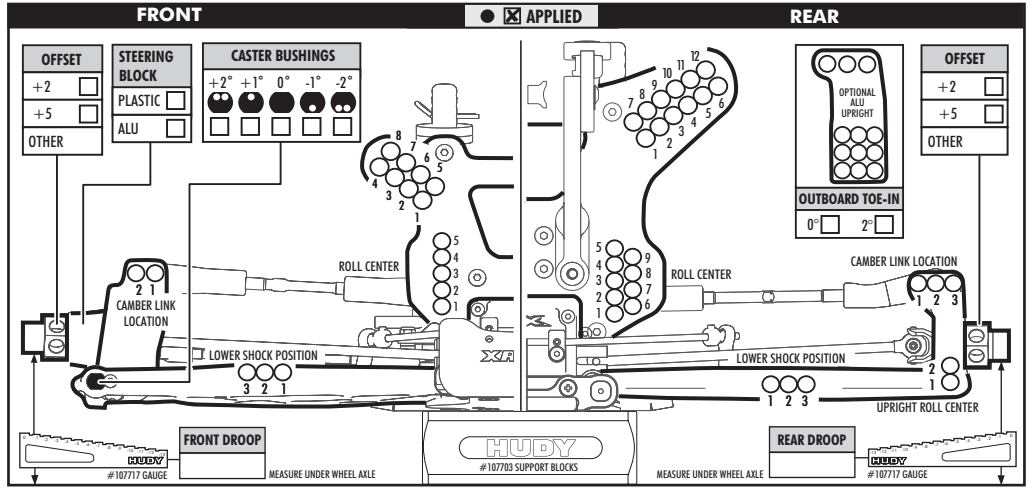
FRONT	SHOCKS	REAR
LINEAR SPRINGS		
#358186 = 0.86	BLUE = 0.61	#358286
#358187 = 0.92	VIOLET = 0.65	#358287
#358188 = 0.98	PINK = 0.70	#358288
OTHER		
OIL / cST		
REBOUND / %		
PISTONS		
<input type="checkbox"/> 6 HOLES	1.1mm	6 HOLES
<input type="checkbox"/> 8 HOLES	1.2mm	8 HOLES
<input type="checkbox"/> 10 HOLES	1.3mm	10 HOLES
	1.4mm	
OTHERS		

FRONT	ANTI ROLL BAR	REAR
	THICKNESS / mm	

FRONT	TIRES	REAR
	TYPE	
	INSERTS	
	WHEELS	

ENGINE	
TYPE	
MANIFOLD	
MUFFLER	
PLUG	
FUEL	

BODY	
TYPE	



COMMENTS
