

# XRAY XB9E

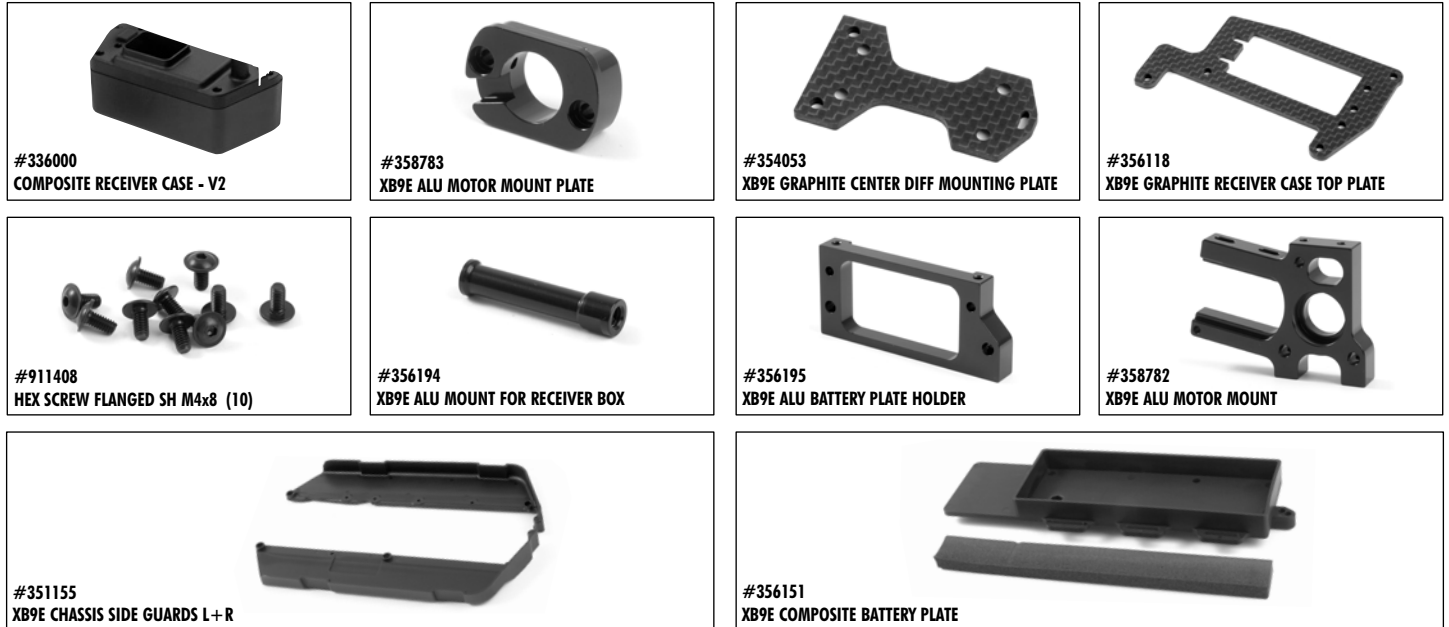
## INSTRUCTION MANUAL SUPPLEMENTARY SHEET

Use this XB9E Supplementary Instruction Sheet along with the standard XB9 instruction manual included in the kit. This Supplementary Sheet highlights and explains new updated steps and you should refer to them while building your XB9E kit. Each step in this Supplementary Sheet indicates the section to which the updated step refers.

### New and Improved Parts

All of these parts are new or updated from the previous versions. Each of these parts feature their corresponding part number which can be used to re-order the parts. You can also refer to the complete exploded views.

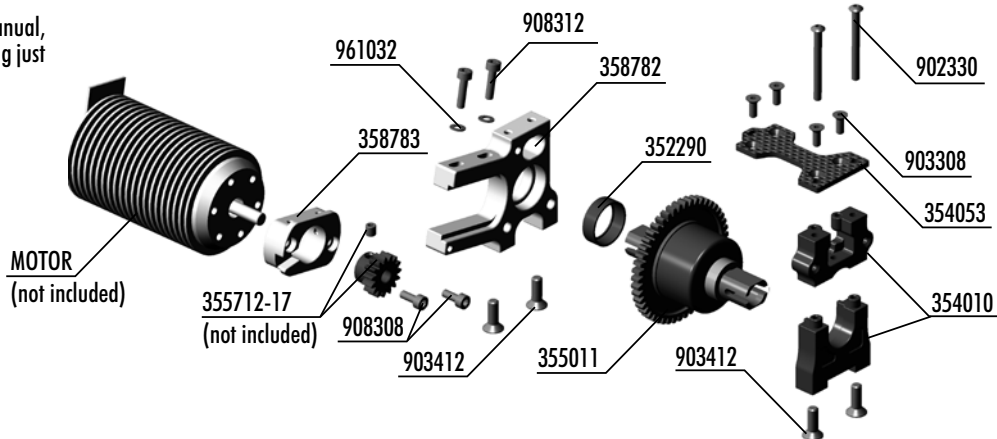
Please note that this kit does not include an air filter oil and other parts used for nitro XB9 version, and also does not include pinion gear and body.



## 8. CENTER DIFFERENTIAL

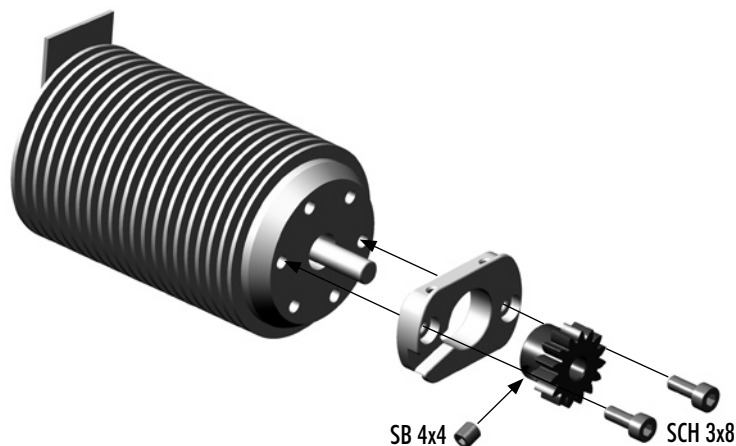
PAGE 26-27

Do not follow the original manual, assembly this section following just these steps.



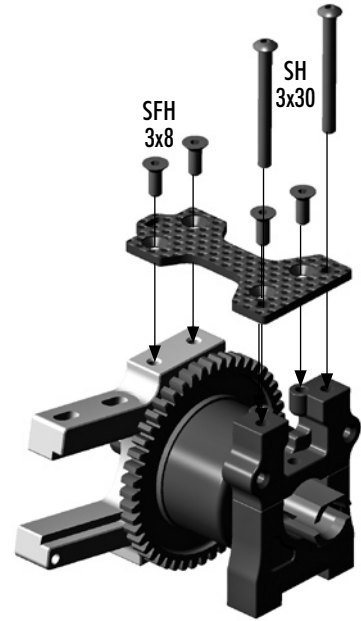
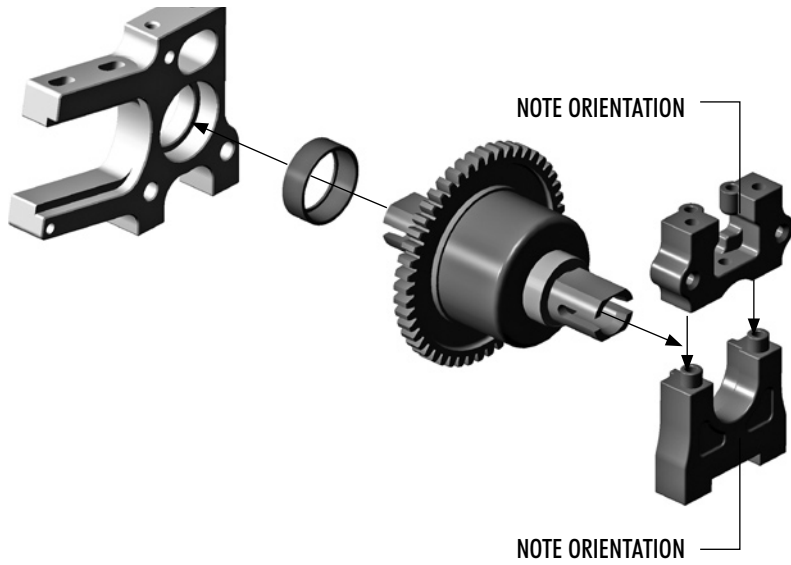
## 8. CENTER DIFFERENTIAL

NEW STEP



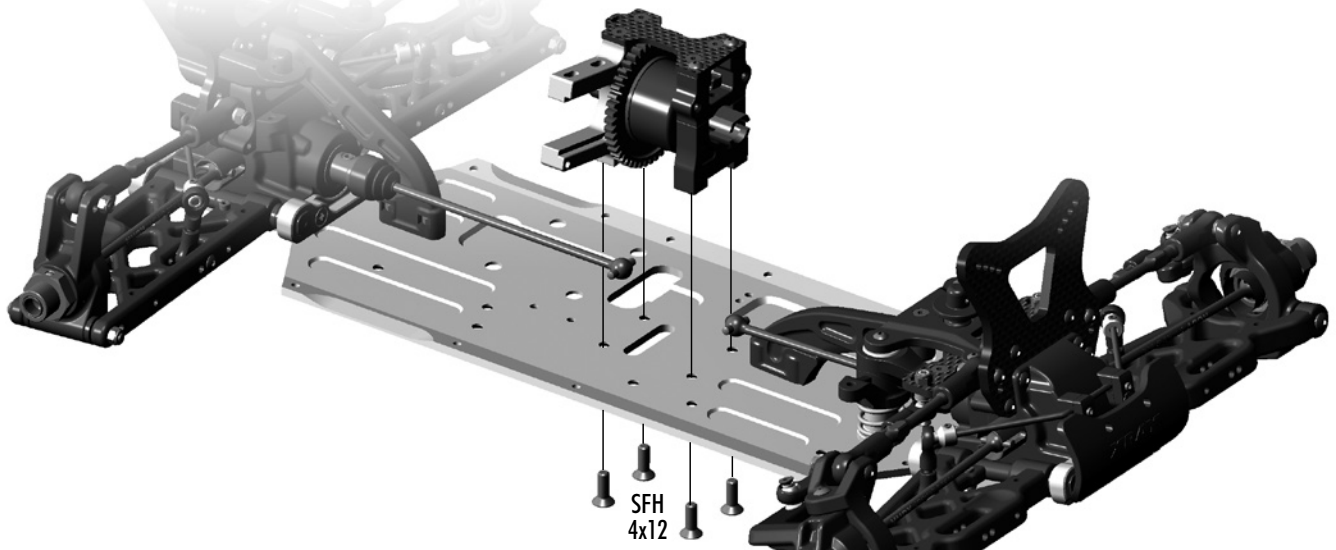
## 8. CENTER DIFFERENTIAL

NEW STEP



## 8. CENTER DIFFERENTIAL

NEW STEP

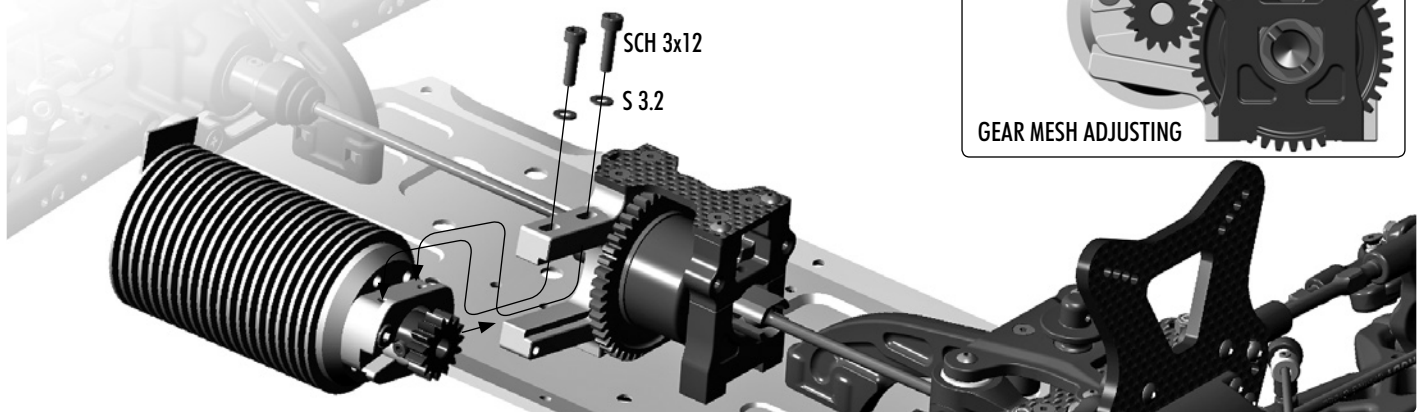


## 8. CENTER DIFFERENTIAL

NEW STEP

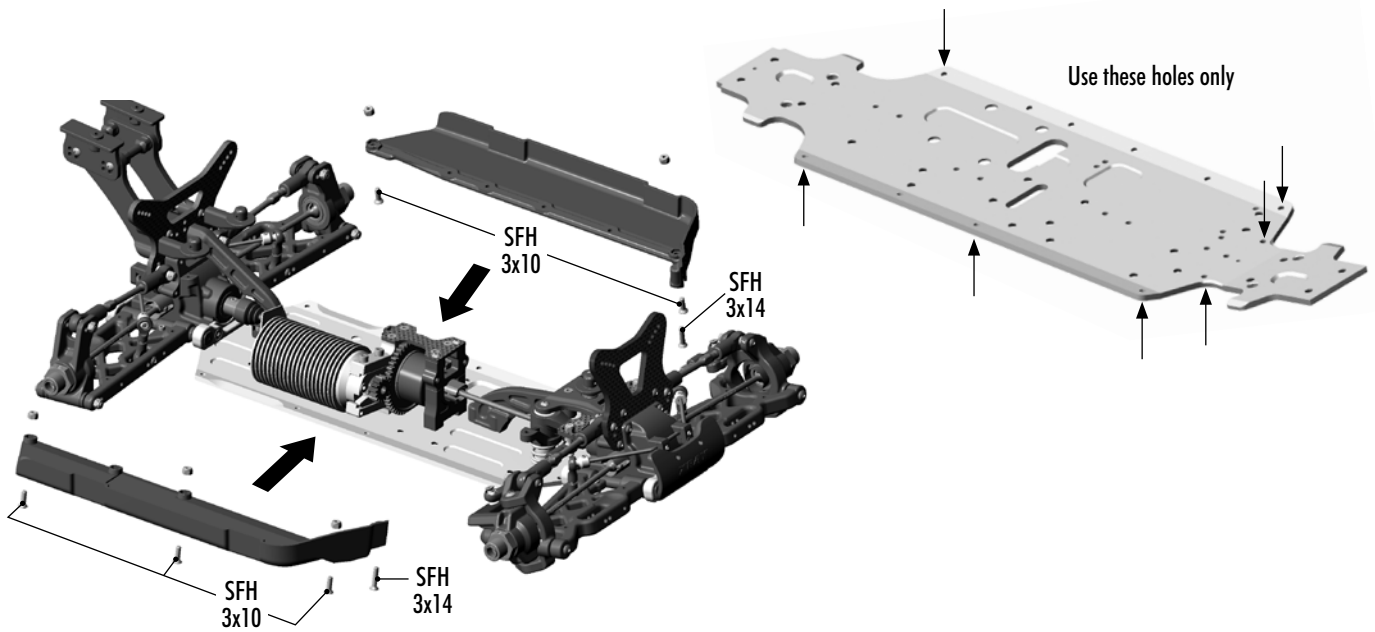
Adjust gear mesh so there is minimal play between the gears.

Too tight gear mesh will put excessive strain on all parts and damage the parts. Too loose gear mesh may result in stripped gears.



## 8. CENTER DIFFERENTIAL

NEW STEP



## 9. FUEL TANK & ENGINE

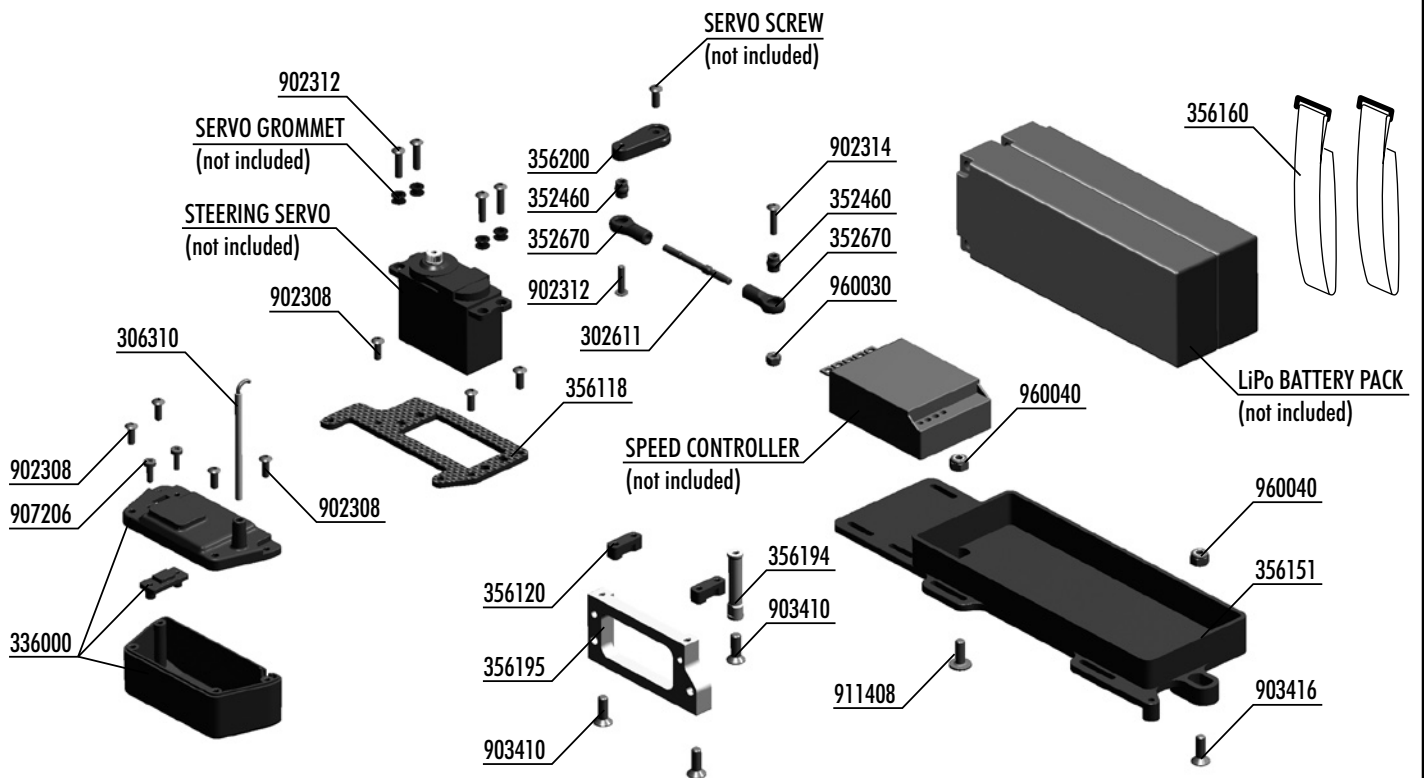
PAGE 28-30

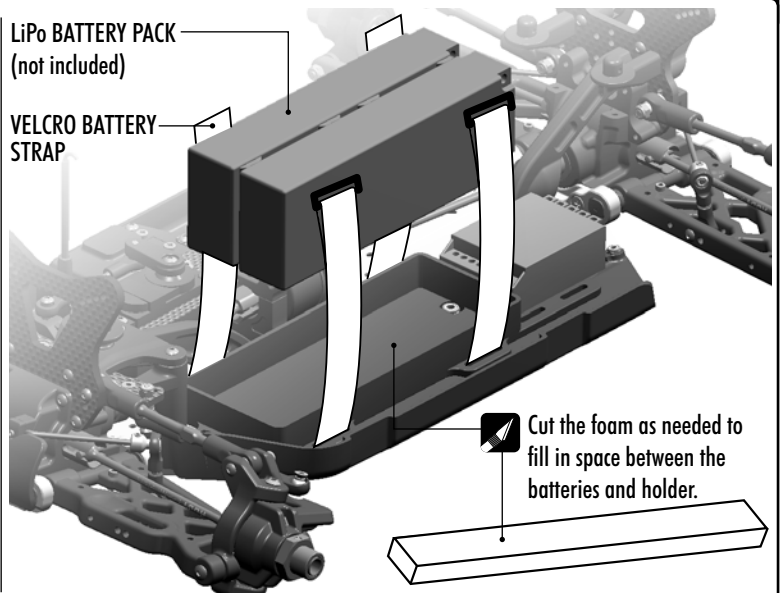
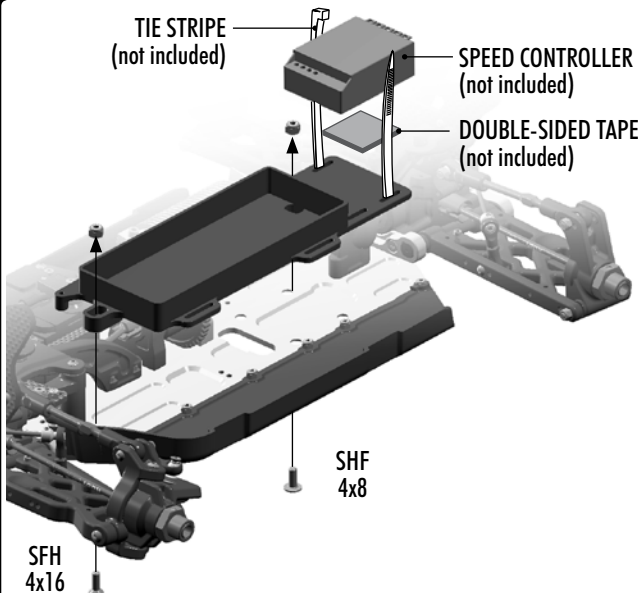
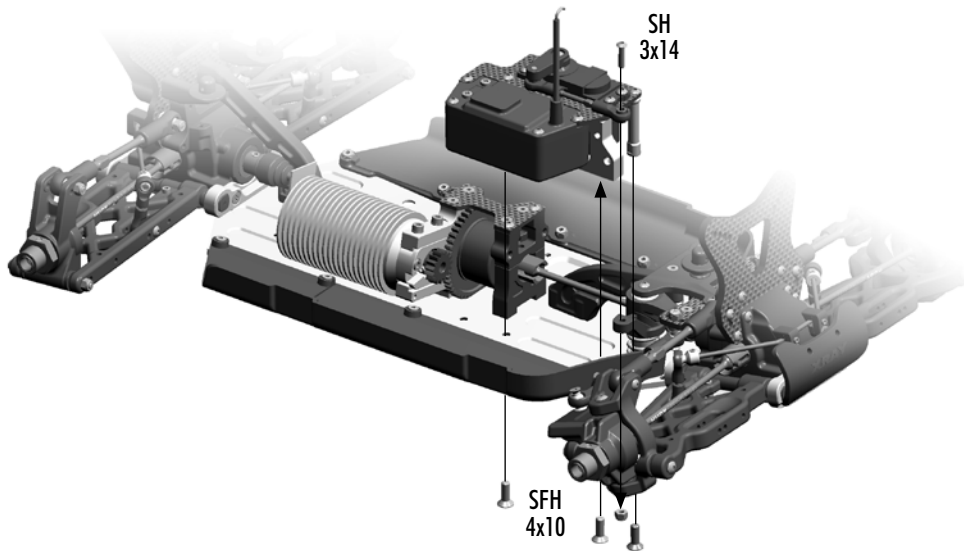
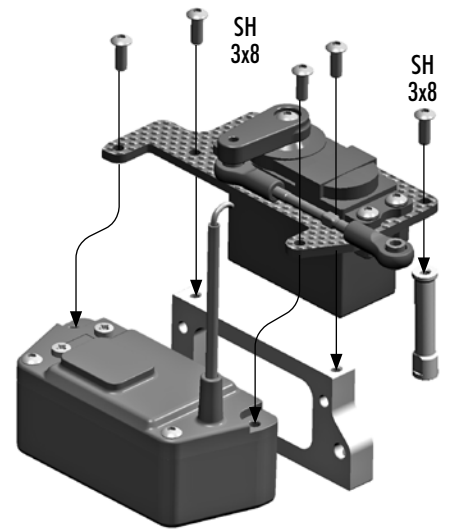
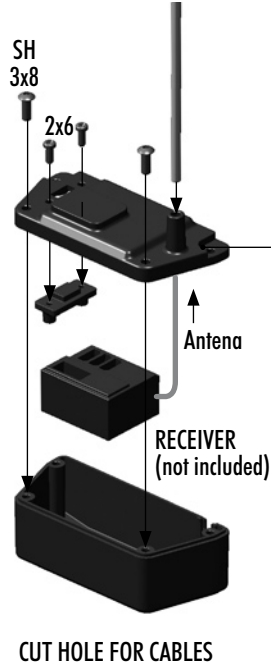
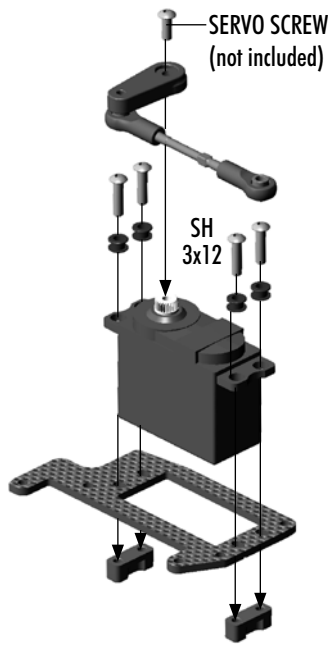
Do not follow the original manual, this section refers to nitro engine installation.

## 10. RADIO CASE

PAGE 31

STEP 1





# XRAY XB9

## INSTRUCTION MANUAL SUPPLEMENTARY SHEET

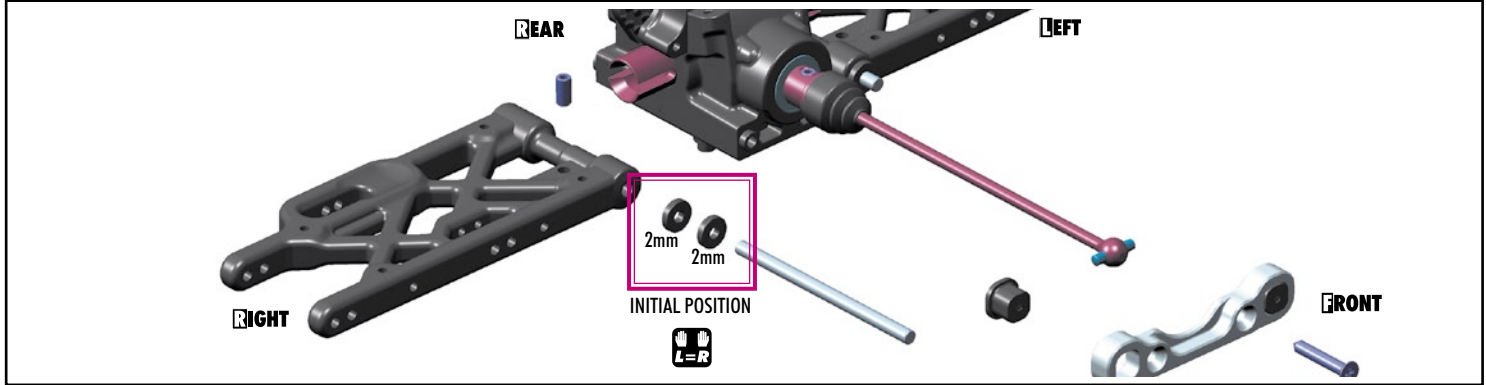
Use this XB9E Supplementary Instruction Sheet along with the standard XB9 Instruction Manual.

### New and Improved Parts

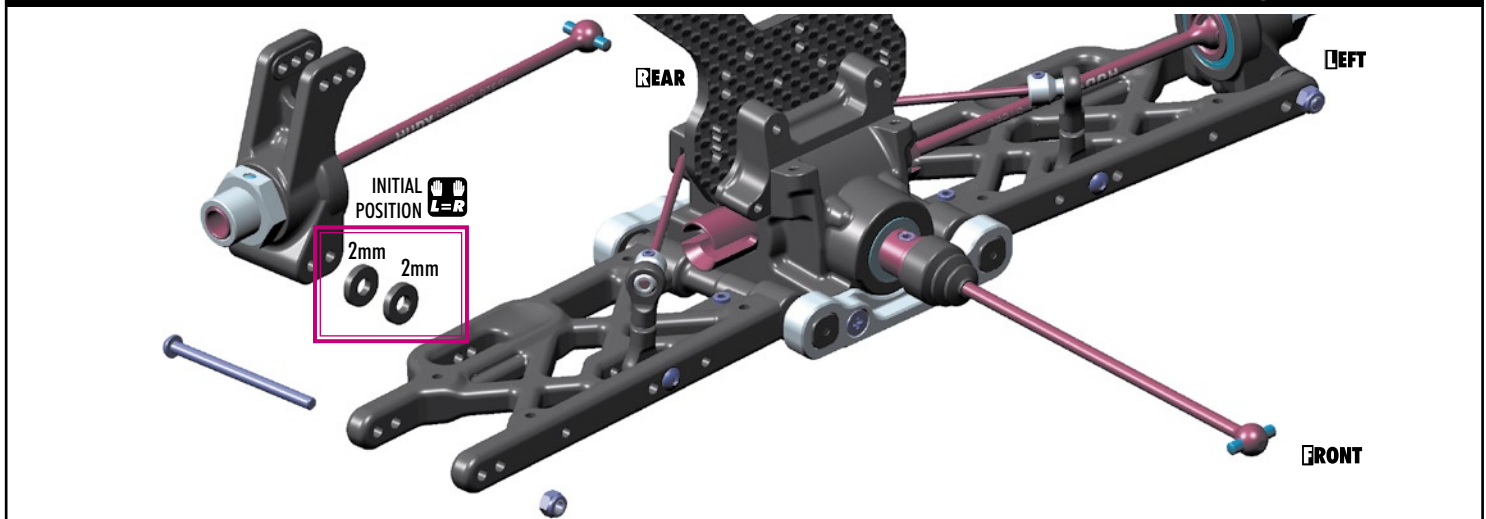
All of these parts are new or updated from the previous versions.



### 3. REAR SUSPENSION Page 13 / Step 1

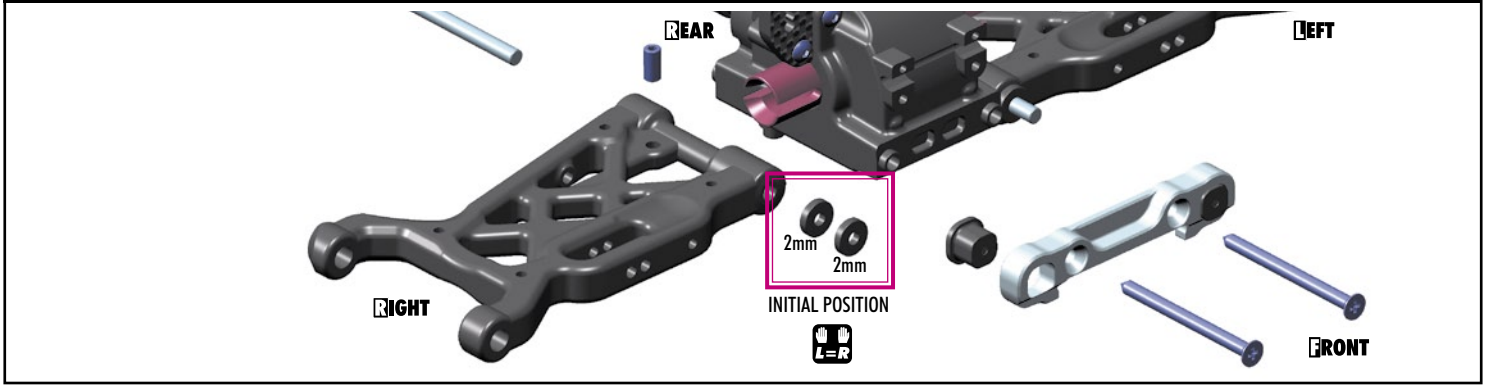


### 4. REAR SUSPENSION Page 15 / Step 2



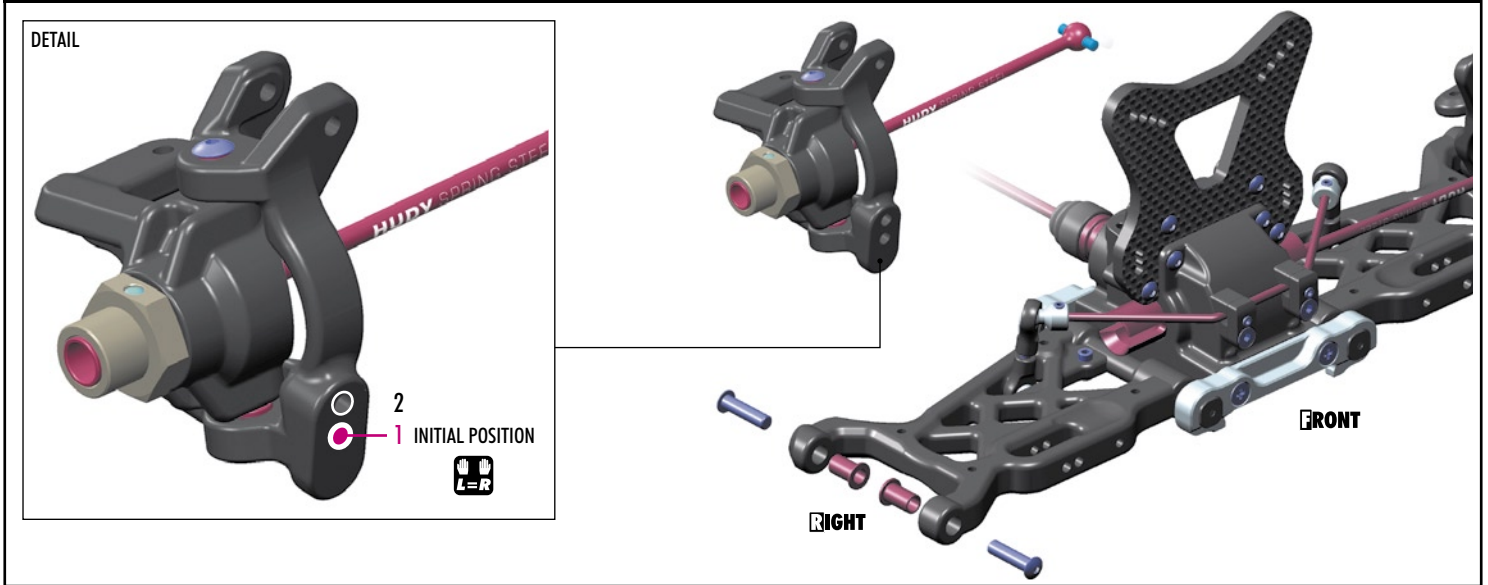
## 5. FRONT SUSPENSION

Page 18 / Step 1



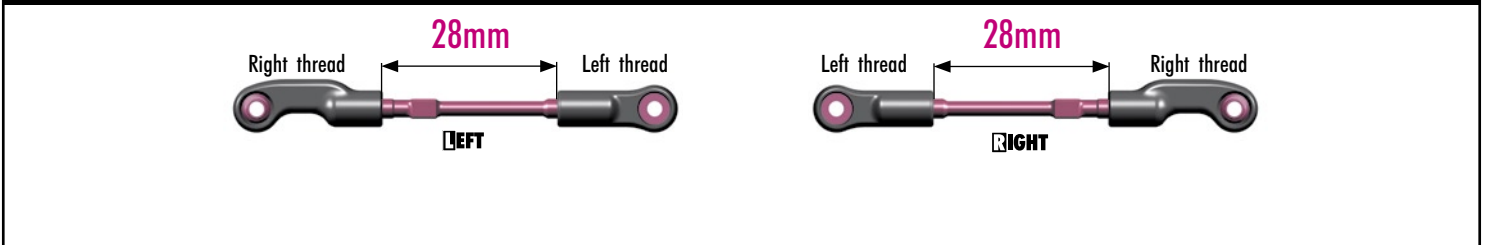
## 6. FRONT SUSPENSION

Page 21 / Step 1



## 7. STEERING

Page 25 / Step 2



## 7. STEERING

Page 25 / Step 3

