

# XRAY NT1

## INSTRUCTION MANUAL SUPPLEMENTARY SHEET

Use this NT1 2016 Supplementary Instruction Sheet along with the standard NT1 Instruction Manual included in the kit.

### New and Improved Parts

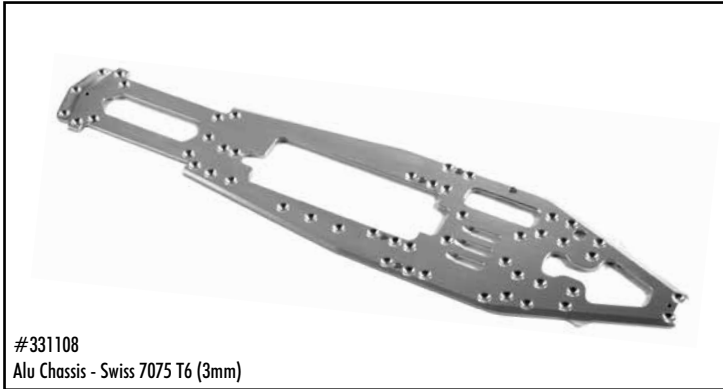
All of these parts are new or updated from the previous versions. Each part features its corresponding part number which can be used to for re-ordering. You can also refer to the complete exploded views.

Please note that this kit does not include a turnbuckle tool. We recommend that you purchase the #181030 HUDY Turnbuckle Tool 3mm.

### SET-UP SHEET

Download new blank and basic set-up sheet for NT1'16 at [www.teamxray.com/NT1/download](http://www.teamxray.com/NT1/download)

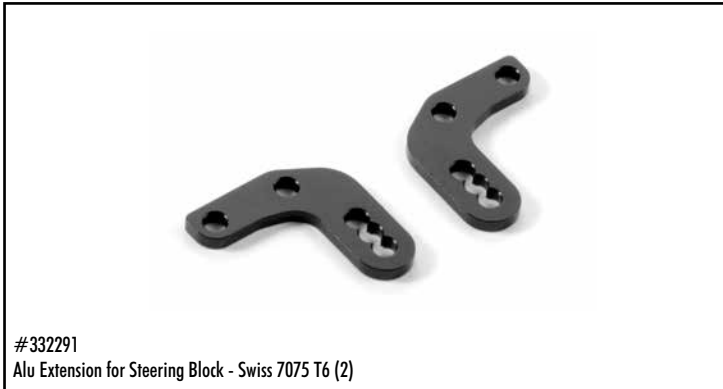
## NT1 2016 SPEC



#331108  
Alu Chassis - Swiss 7075 T6 (3mm)



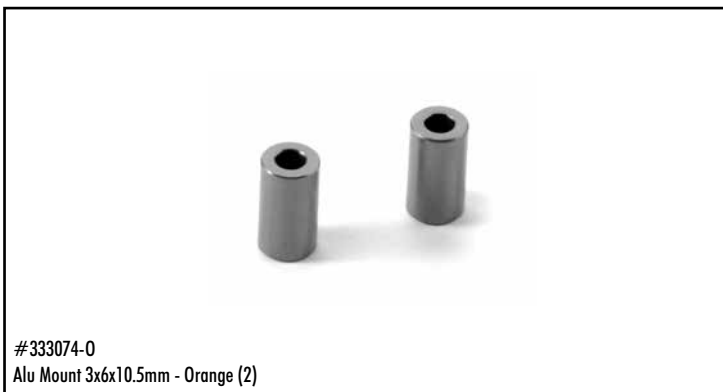
#332037  
Alu Upper Clamp Front - Multi-Flex™ - Swiss 7075 T6 (L+R)



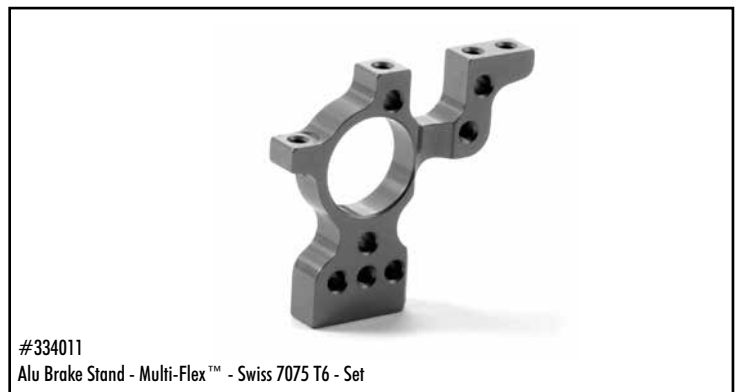
#332291  
Alu Extension for Steering Block - Swiss 7075 T6 (2)



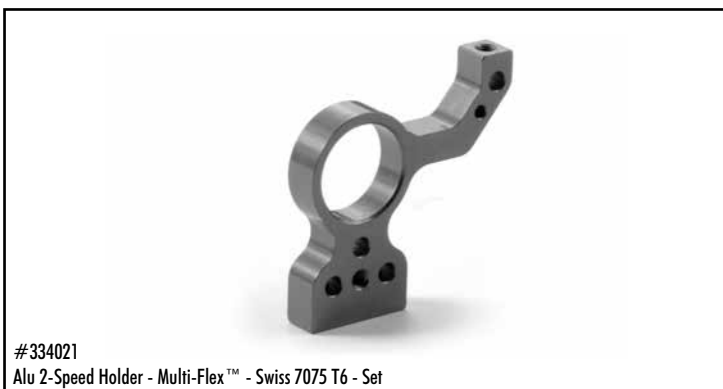
#333052  
Graphite Rear Bulkheads Brace 2.5mm



#333074-0  
Alu Mount 3x6x10.5mm - Orange (2)



#334011  
Alu Brake Stand - Multi-Flex™ - Swiss 7075 T6 - Set



#334021  
Alu 2-Speed Holder - Multi-Flex™ - Swiss 7075 T6 - Set



#338710  
Alu Engine Mounts - Lower - V2 (2)



903308  
SFH M3x8

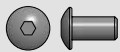
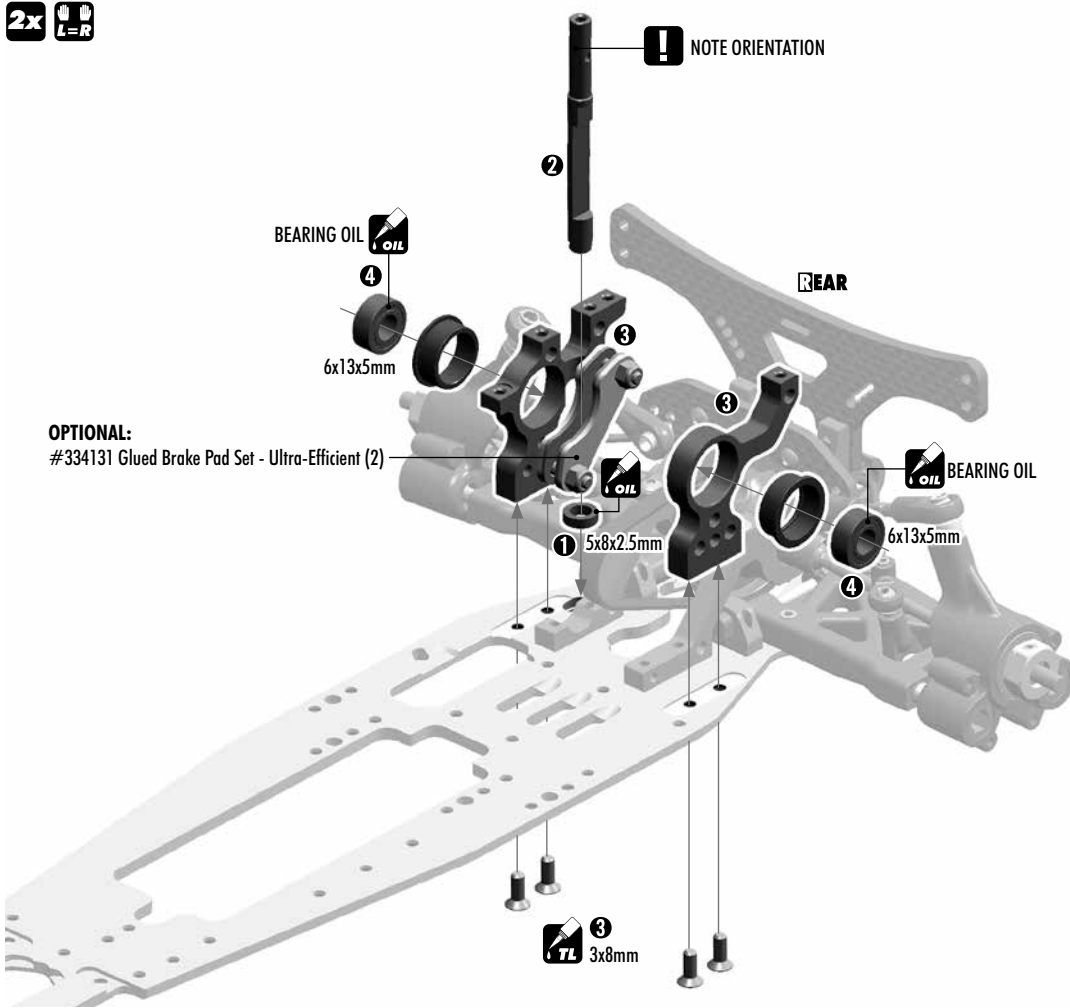


940508  
BB 5x8x2.5



940613  
BB 6x13x5

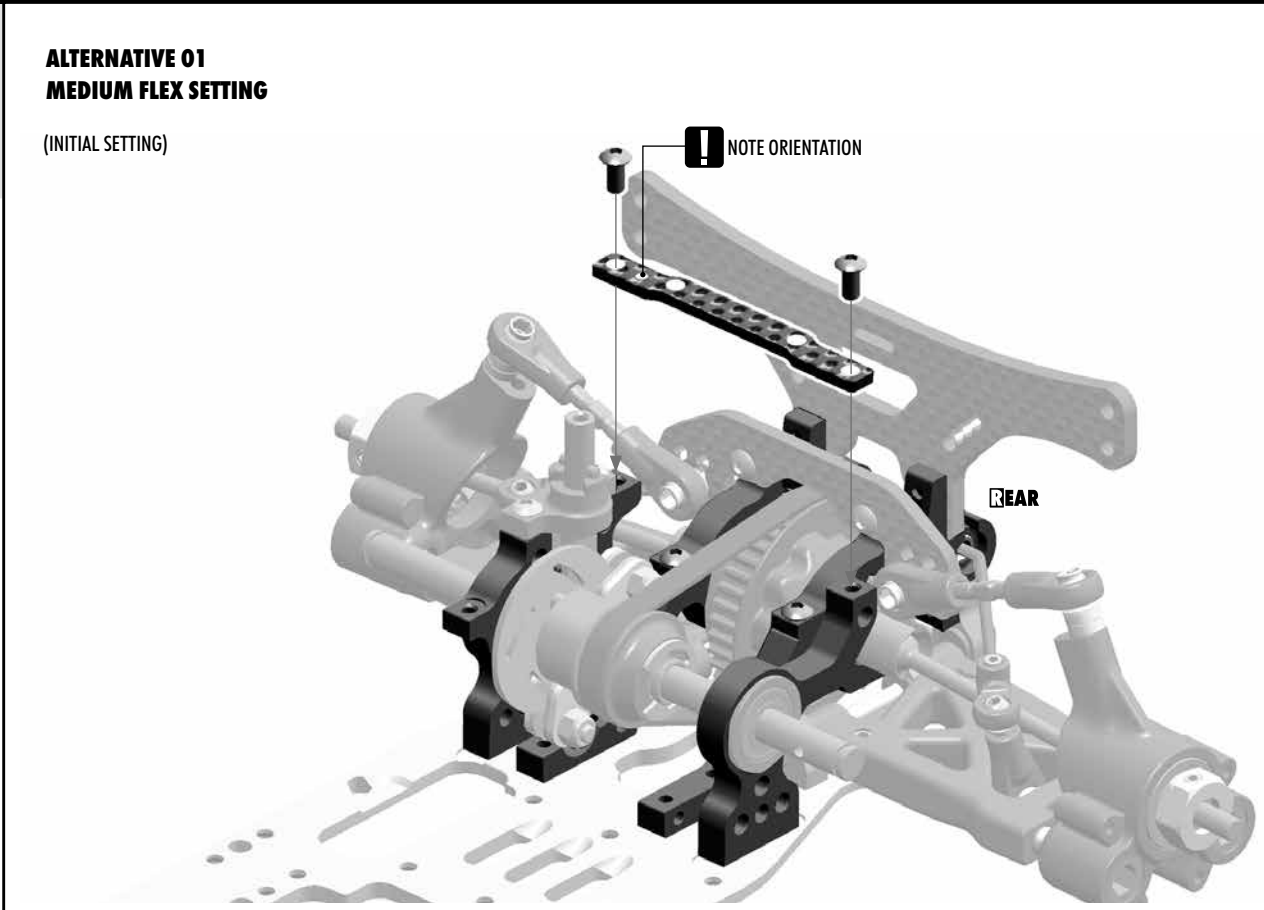
2x



902306  
SH M3x6

## ALTERNATIVE 01 MEDIUM FLEX SETTING

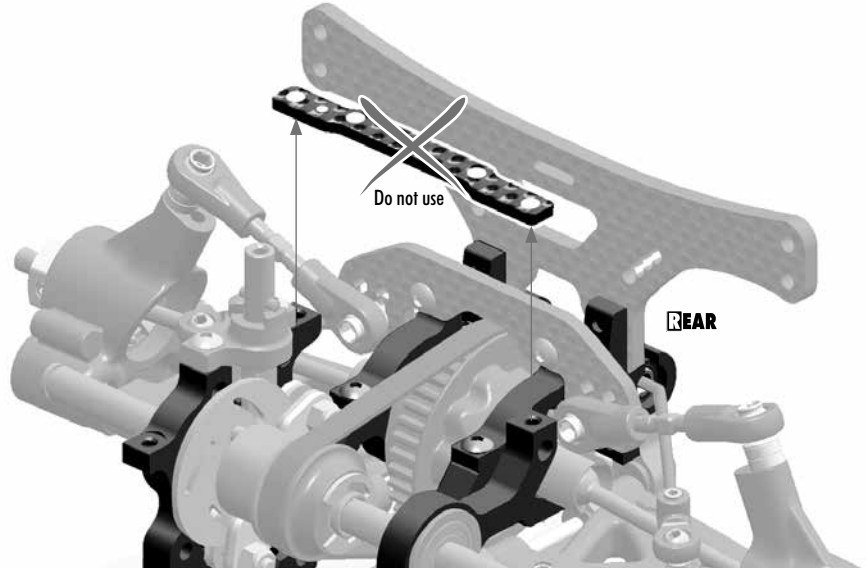
(INITIAL SETTING)



## 2. REAR SUSPENSION

Page 17, step 5 (new step)

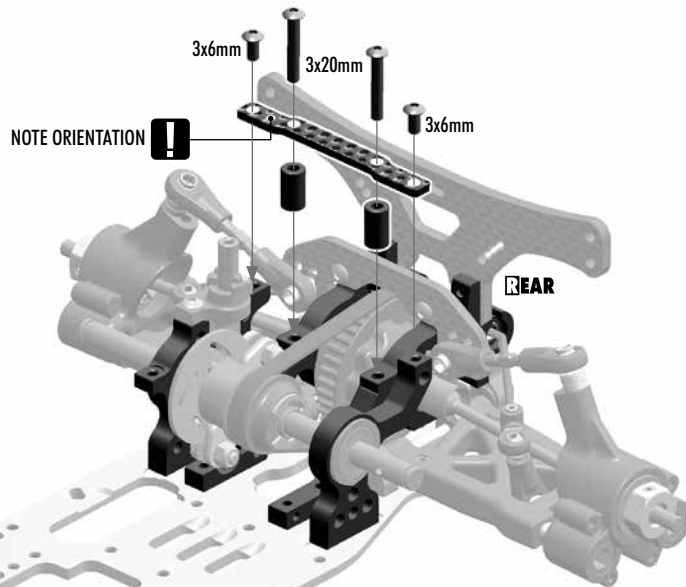
### ALTERNATIVE 02 SOFT FLEX SETTING



## 2. REAR SUSPENSION

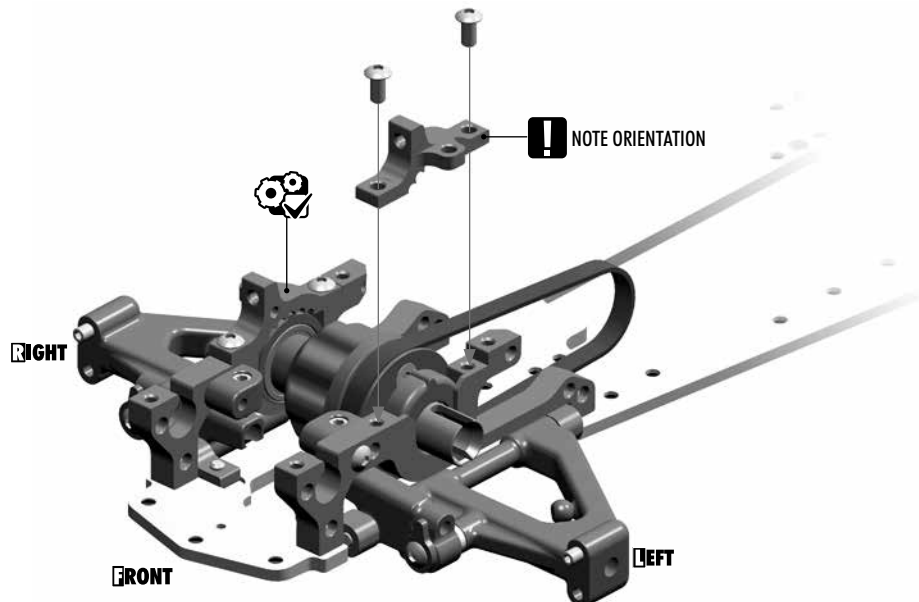
Page 17, step 6 (new step)

### ALTERNATIVE 03 STIFF FLEX SETTING

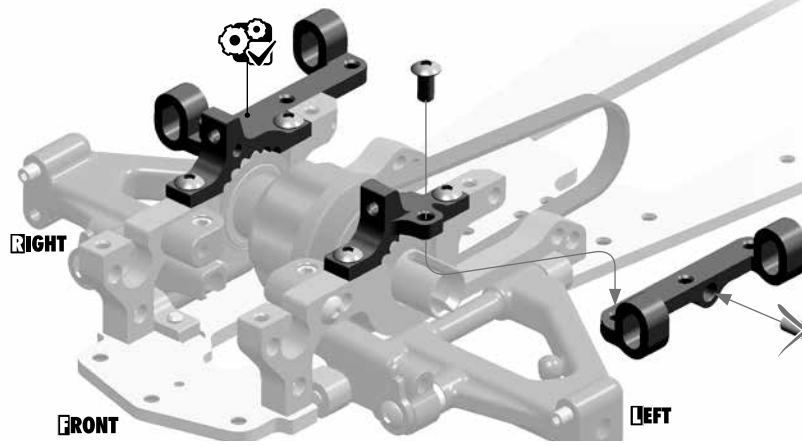


## 4. FRONT SUSPENSION

PAGE 22 / STEP 2



# 4. FRONT SUSPENSION

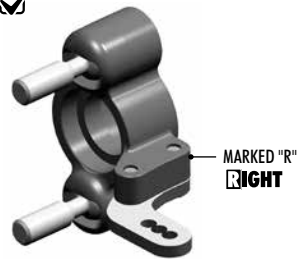


**!** NOTE ORIENTATION



**FLEX SCREW**  
Do not use for initial setting. This screw adjusts the flex of the front suspension. Use when necessary.

# 4. FRONT SUSPENSION



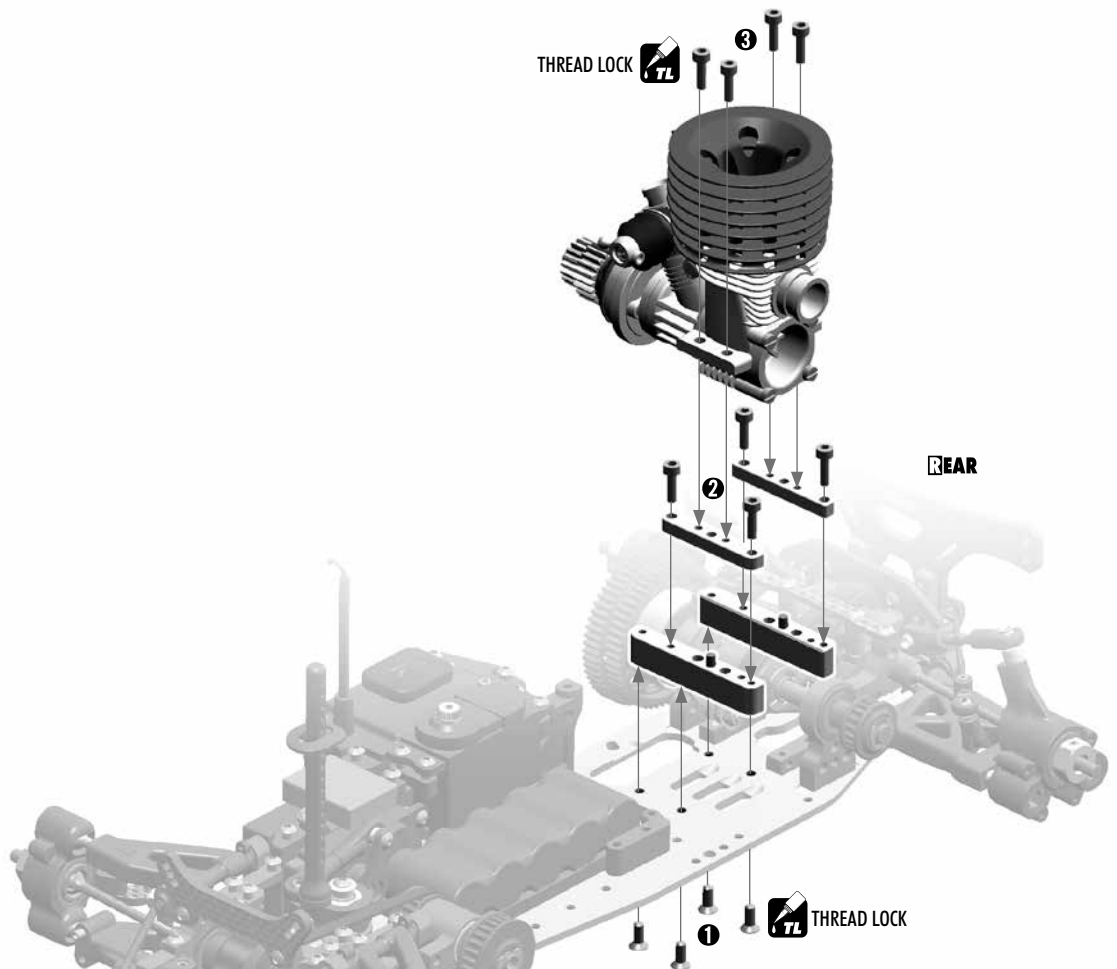
# 8. ENGINE & CLUTCH



903310  
SFH M3x10



908310  
SCH M3x10



THREAD LOCK

THREAD LOCK