

SET-UP SHEET

XRAY XB8

RACE	
TRACK	
NAME	
CITY / COUNTRY	
CONTACT	
DATE	
TEMPERATURE AIR	
TEMPERATURE TRACK	

LAPS	FINAL POSITION	BEST LAP TIME	RACE LENGTH
		/sec	/min

TRACKS

SIZE	<input type="checkbox"/> OPEN	<input type="checkbox"/> MEDIUM	<input type="checkbox"/> TIGHT
TRACTION	<input type="checkbox"/> LOW	<input type="checkbox"/> MEDIUM	<input type="checkbox"/> HIGH
SURFACE	<input type="checkbox"/> SMOOTH	<input type="checkbox"/> MEDIUM	<input type="checkbox"/> BUMPY
TYPE	<input type="checkbox"/> HARD PACKED	<input type="checkbox"/> SOFT DIRT	<input type="checkbox"/> CLAY
	<input type="checkbox"/> BLUE GROVE	<input type="checkbox"/> ASTRO TURF	<input type="checkbox"/> GRASS
CONDITION	<input type="checkbox"/> DRY	<input type="checkbox"/> DUSTY	<input type="checkbox"/> WET
			<input type="checkbox"/> MUD

DIFFERENTIAL

	FRONT	CENTER	REAR
TYPE			
OIL			

GEARING

CLUTCH BELL		/T	SPUR GEAR	
PINION		/T	CROWN GEAR	
SHOE			SPRING	

SHOCKS

FRONT		REAR	
<input type="checkbox"/> LINEAR SPRINGS <input type="checkbox"/> PROGRESSIVE			
OIL		OIL	
/cSt		/cSt	
REBOUND		REBOUND	
/%		/%	
PISTONS <input type="checkbox"/> 6 HOLES <input type="checkbox"/> 8 HOLES <input type="checkbox"/> 10 HOLES		PISTONS <input type="checkbox"/> 1.1 mm <input type="checkbox"/> 1.2 mm <input type="checkbox"/> 1.3 mm <input type="checkbox"/> 1.4 mm <input type="checkbox"/> OTHER PISTONS	

ANTI ROLL BAR

FRONT	THICKNESS	REAR
/mm		/mm

TIRES

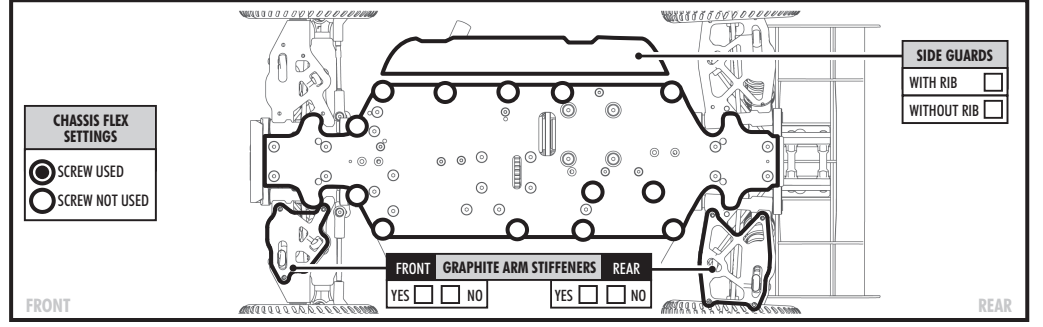
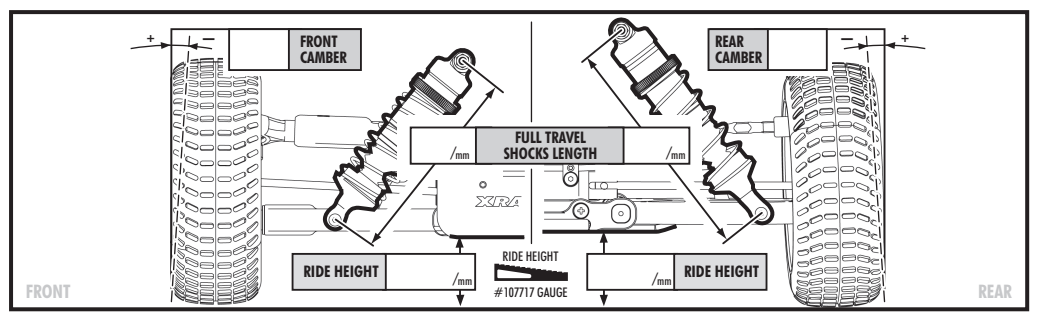
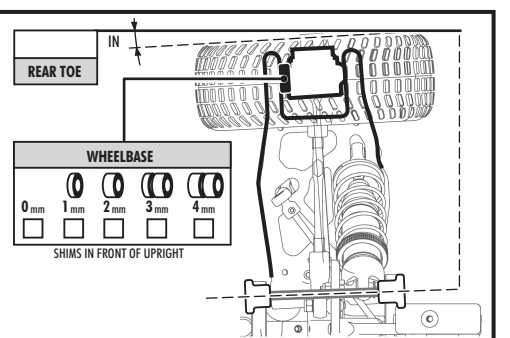
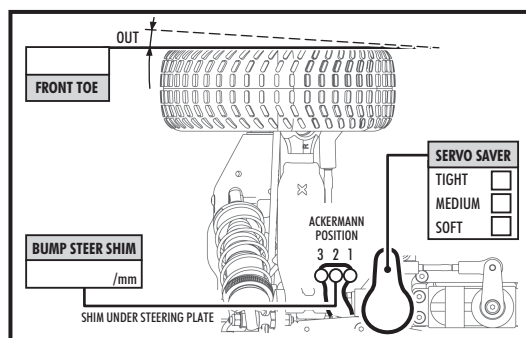
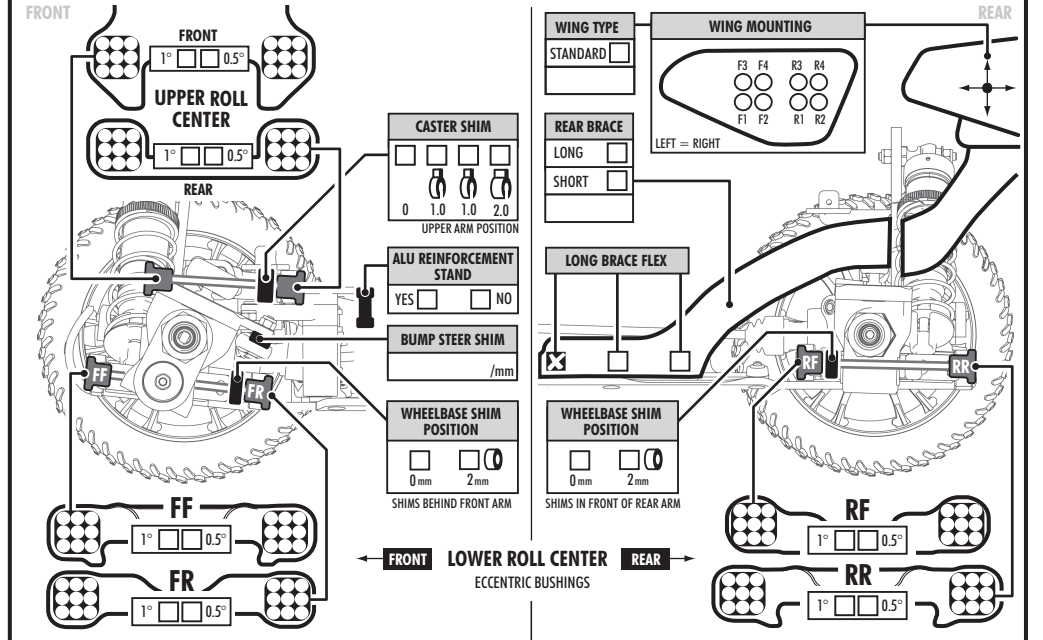
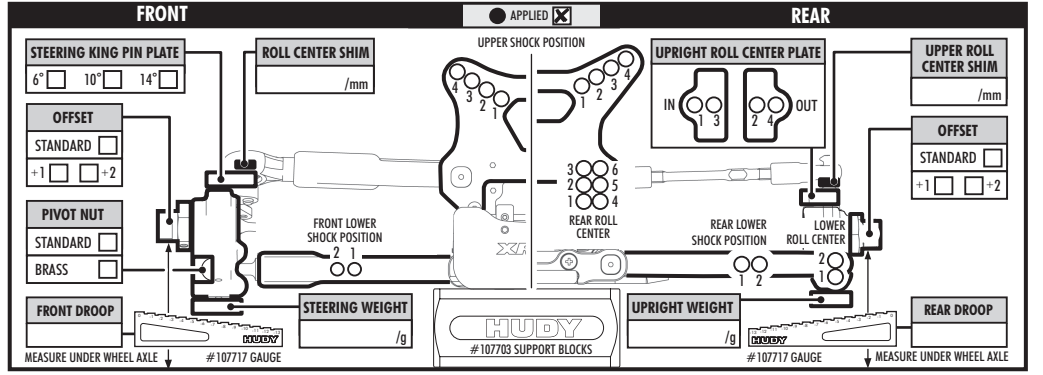
FRONT	TYPE	REAR
	INSERTS	
	WHEELS	

ENGINE

TYPE	
MUFFLER	
MANIFOLD	
PLUG	
FUEL	

BODY

TYPE	
------	--



COMMENTS