

# SET-UP SHEET

# XRAY XB8'15

RACE: **BASIC SET-UP**

TRACK: \_\_\_\_\_

NAME: \_\_\_\_\_

CITY / COUNTRY: \_\_\_\_\_

CONTACT: \_\_\_\_\_

DATE: \_\_\_\_\_

TEMPERATURE AIR: \_\_\_\_\_ TEMPERATURE TRACK: \_\_\_\_\_

LAPS: \_\_\_\_\_ FINAL POSITION: \_\_\_\_\_ BEST LAP TIME: \_\_\_\_\_ RACE LENGTH: \_\_\_\_\_

/sec /min

**TRACKS**

SIZE:  OPEN  MEDIUM  TIGHT

TRACTION:  LOW  MEDIUM  HIGH

SURFACE:  SMOOTH  MEDIUM  BUMPY

TYPE:  HARD PACKED  SOFT DIRT  CLAY  
 BLUE GROVE  ASTRO TURF  GRASS

CONDITION:  DRY  DUSTY  WET  MUD

**DIFFERENTIAL**

	FRONT	CENTER	REAR
TYPE	STANDARD	STANDARD	STANDARD
OIL	5000	5000	2000

**GEARING**

CLUTCH BELL	13	/T	46	/T	SPUR GEAR
PINION	14	/T	46	/T	CROWN GEAR
SHOE	ALU	MEDIUM	SPRING		

**SHOCKS**

FRONT	REAR
4 STRIPES <input checked="" type="checkbox"/>	3 STRIPES <input checked="" type="checkbox"/>
600 /cst	450 /cst
REBOUND: _____ %	REBOUND: _____ %
PISTONS: <input checked="" type="checkbox"/> 6 HOLES <input checked="" type="checkbox"/> 8 HOLES <input type="checkbox"/> 10 HOLES	PISTONS: <input checked="" type="checkbox"/> 6 HOLES <input checked="" type="checkbox"/> 8 HOLES <input type="checkbox"/> 10 HOLES
OTHER PISTONS: _____	OTHER PISTONS: _____

**ANTI ROLL BAR**

FRONT: 2.4 /mm THICKNESS REAR: 2.6 /mm

**TIRES**

FRONT	REAR
TYPE: _____	TYPE: _____
INSERTS: _____	INSERTS: _____
WHEELS: _____	WHEELS: _____

**ENGINE**

TYPE: \_\_\_\_\_

MUFFLER: \_\_\_\_\_

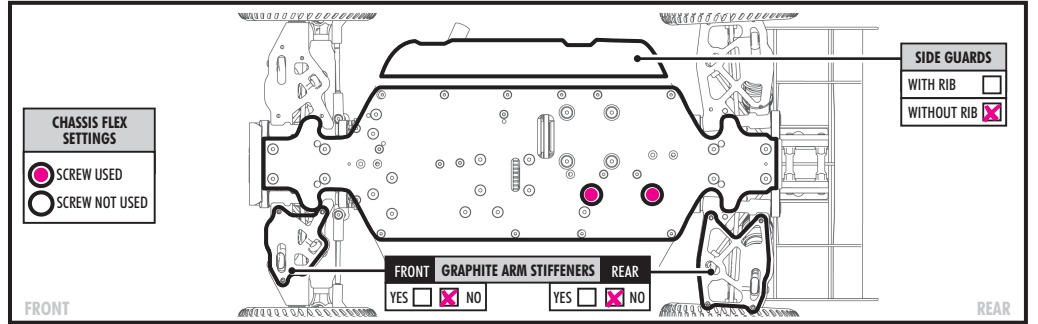
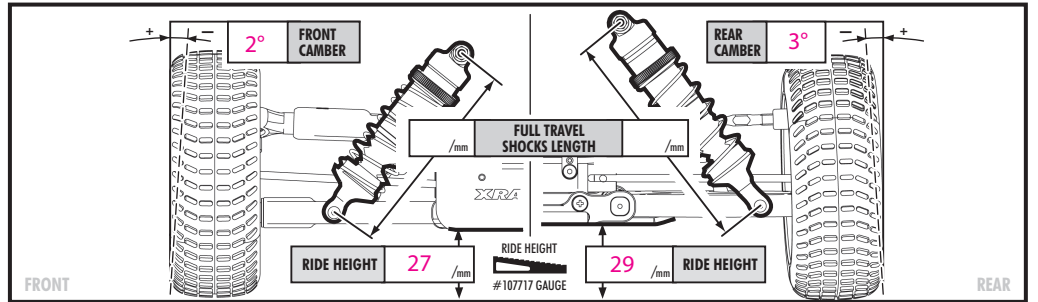
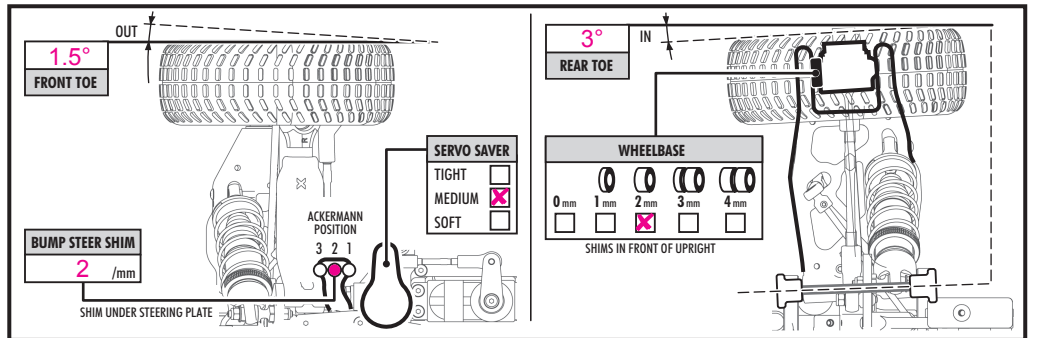
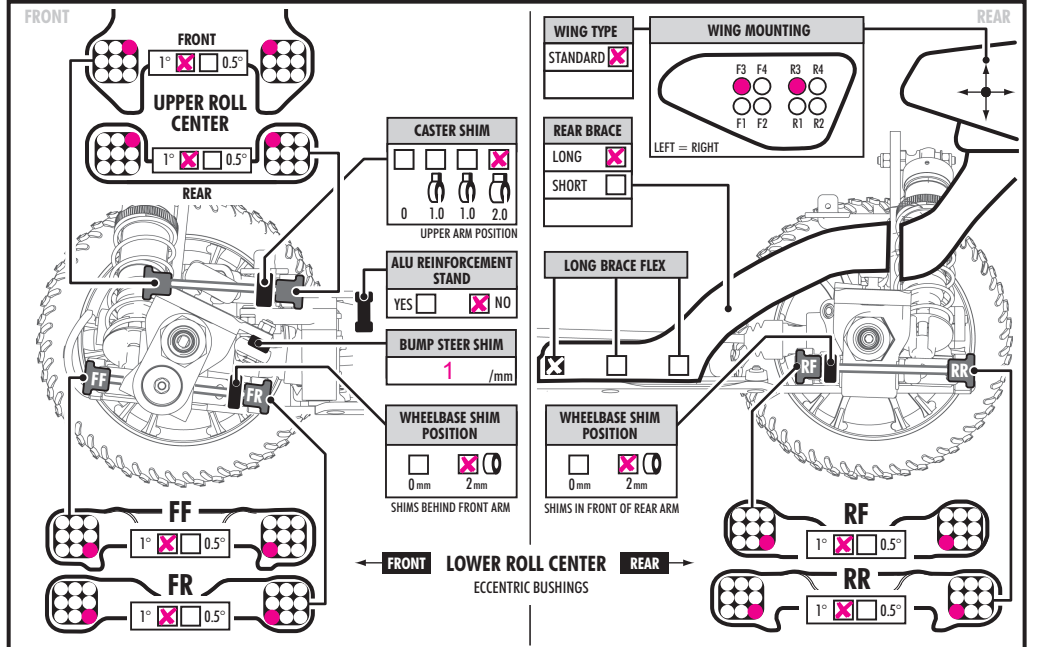
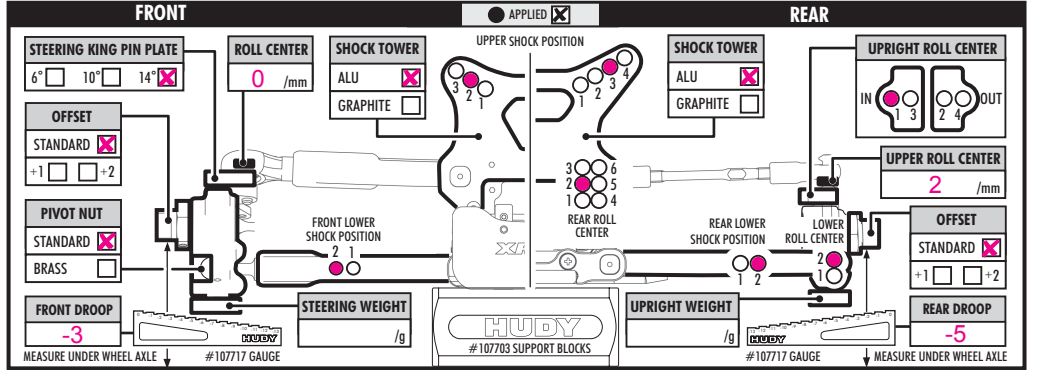
MANIFOLD: \_\_\_\_\_

PLUG: \_\_\_\_\_

FUEL: \_\_\_\_\_

**BODY**

TYPE: **XRAY XB8**



**COMMENTS**

\_\_\_\_\_