

SET-UP SHEET

XRAY XB8E

RACE: **BASIC SET-UP**

TRACK: _____

NAME: _____

CITY / COUNTRY: _____

CONTACT: _____

DATE: _____

TEMPERATURE AIR: _____ TEMPERATURE TRACK: _____

LAPS: _____ FINAL POSITION: _____ BEST LAP TIME: _____ RACE LENGTH: _____

/sec /min

TRACKS

SIZE: OPEN MEDIUM TIGHT

TRACTION: LOW MEDIUM HIGH

SURFACE: SMOOTH MEDIUM BUMPY

TYPE: HARD PACKED SOFT DIRT CLAY
 BLUE GROVE ASTRO TURF GRASS

CONDITION: DRY DUSTY WET MUD

DIFFERENTIAL

	FRONT	CENTER	REAR
TYPE			
OIL	5000	5000	2000

GEARING

PINION	12-17	/T	46	/T	SPUR GEAR
DIFF. PINION	14	/T	46	/T	CROWN GEAR

SHOCKS

FRONT	REAR
3 STRIPES <input checked="" type="checkbox"/> LINEAR SPRINGS	2 STRIPES <input checked="" type="checkbox"/> PROGRESSIVE
550 /cst	400 /cst
0 /%	0 /%
REBOUND	REBOUND
PISTONS	PISTONS
1.1 mm	1.1 mm
1.2 mm <input checked="" type="checkbox"/>	1.2 mm <input checked="" type="checkbox"/>
1.3 mm	1.3 mm
1.4 mm	1.4 mm
6 HOLES	6 HOLES
8 HOLES <input checked="" type="checkbox"/>	8 HOLES <input checked="" type="checkbox"/>
10 HOLES	10 HOLES

OTHER PISTONS: _____

ANTI ROLL BAR

FRONT: 2.4 /mm THICKNESS REAR: 2.6 /mm

TIRES

FRONT	REAR
TYPE	
INSERTS	
WHEELS	

ELECTRONICS

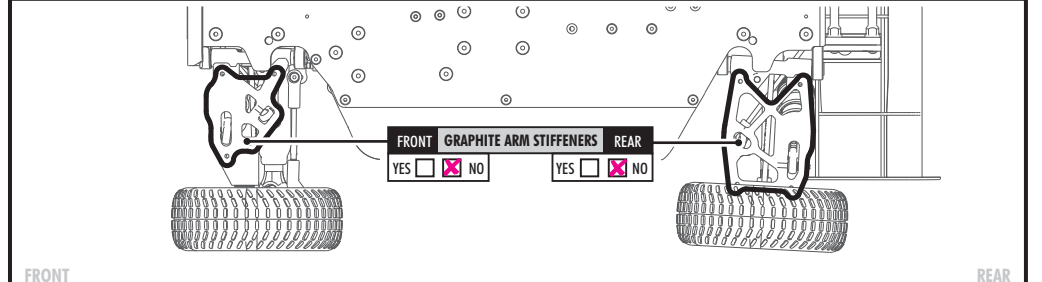
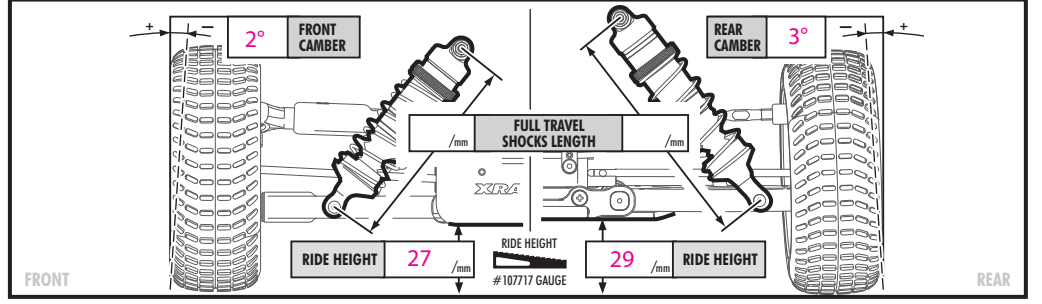
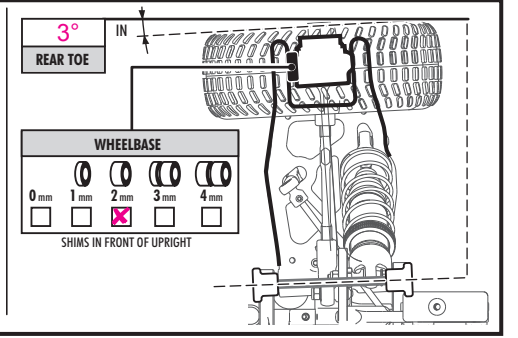
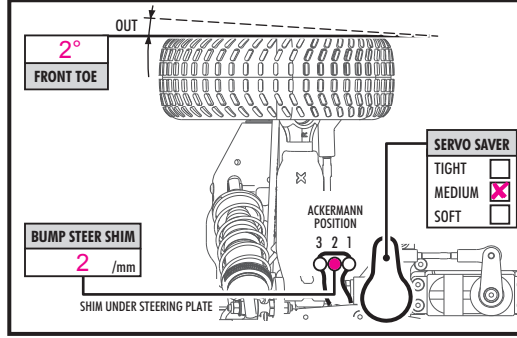
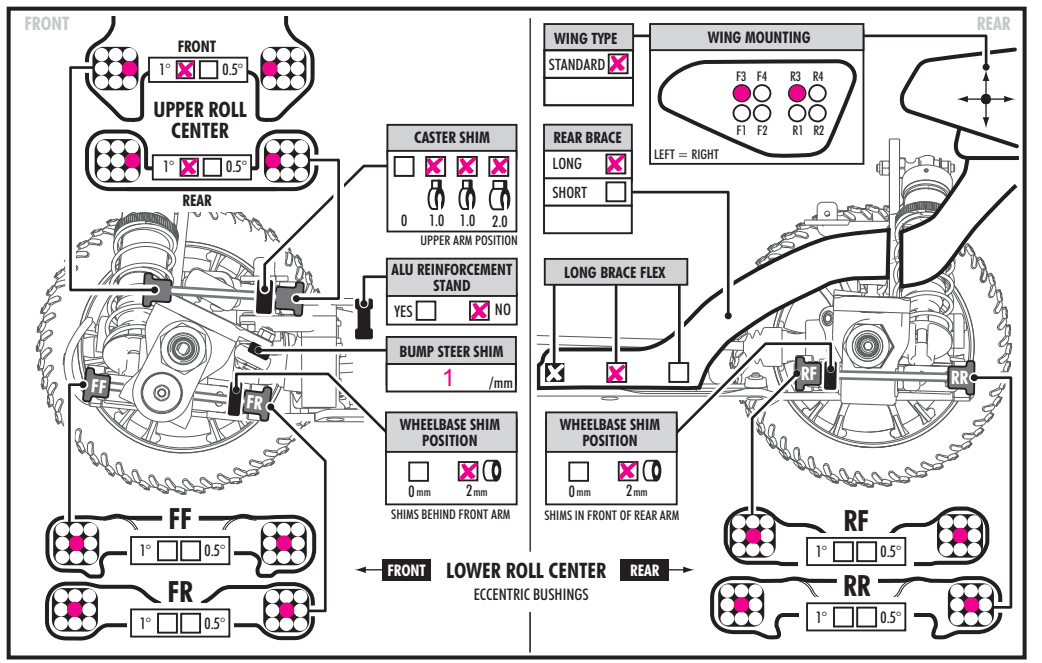
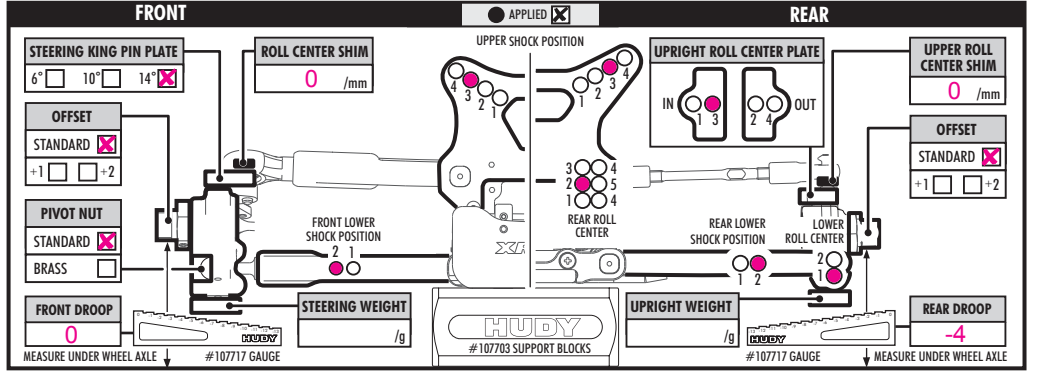
MOTOR: _____

SPEEDO: _____

BATTERIES: _____

BODY

TYPE: **XRAY XB8E**



COMMENTS
