

RACE: \_\_\_\_\_

TRACK: \_\_\_\_\_

NAME: \_\_\_\_\_

CITY / COUNTRY: \_\_\_\_\_

CONTACT: \_\_\_\_\_

DATE: \_\_\_\_\_

TEMPERATURE AIR: \_\_\_\_\_ TEMPERATURE TRACK: \_\_\_\_\_

LAPS: \_\_\_\_\_ FINAL POSITION: \_\_\_\_\_ BEST LAP TIME: \_\_\_\_\_ RACE LENGTH: \_\_\_\_\_

/sec /min

### TRACKS

SIZE:  OPEN  MEDIUM  TIGHT

TRACTION:  LOW  MEDIUM  HIGH

SURFACE:  SMOOTH  MEDIUM  BUMPY

TYPE:  HARD PACKED  SOFT DIRT  CLAY  
 BLUE GROVE  ASTRO TURF  GRASS

CONDITION:  DRY  DUSTY  WET  MUD

### DIFFERENTIAL

	FRONT	CENTER	REAR
TYPE	<input type="checkbox"/>	<input type="checkbox"/>	<input type="checkbox"/>
OIL	<input type="checkbox"/>	<input type="checkbox"/>	<input type="checkbox"/>

### GEARING

PINION: \_\_\_\_\_ /T SPUR GEAR: \_\_\_\_\_

DIFF. PINION: \_\_\_\_\_ /T CROWN GEAR: \_\_\_\_\_

### SHOCKS

FRONT	REAR
LINEAR SPRINGS: <input type="checkbox"/>	PROGRESSIVE SPRINGS: <input type="checkbox"/>
OIL: _____ /cSt	OIL: _____ /cSt
REBOUND: _____ /%	REBOUND: _____ /%
PISTONS: 1.1 mm <input type="checkbox"/>	PISTONS: 6 HOLES <input type="checkbox"/>
1.2 mm <input type="checkbox"/>	8 HOLES <input type="checkbox"/>
1.3 mm <input type="checkbox"/>	10 HOLES <input type="checkbox"/>
1.4 mm <input type="checkbox"/>	OTHER PISTONS: _____

### ANTI ROLL BAR

FRONT: \_\_\_\_\_ /mm THICKNESS REAR: \_\_\_\_\_ /mm

### TIRES

FRONT	REAR
TYPE: _____	TYPE: _____
INSERTS: _____	INSERTS: _____
WHEELS: _____	WHEELS: _____

### ELECTRONICS

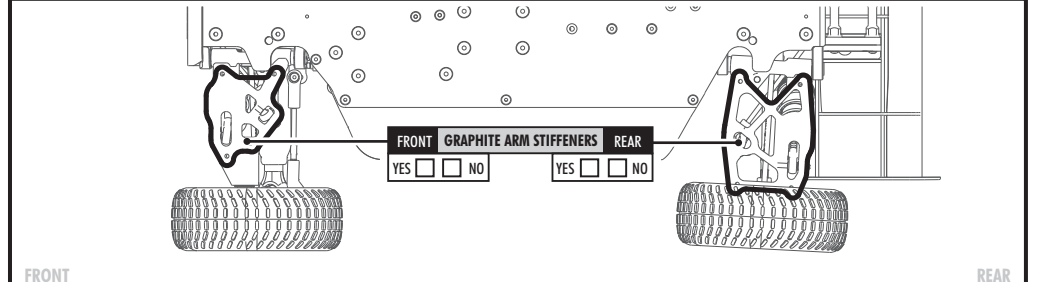
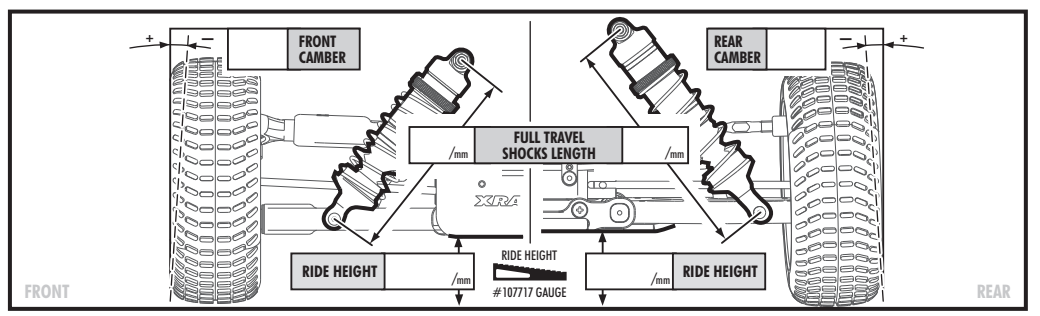
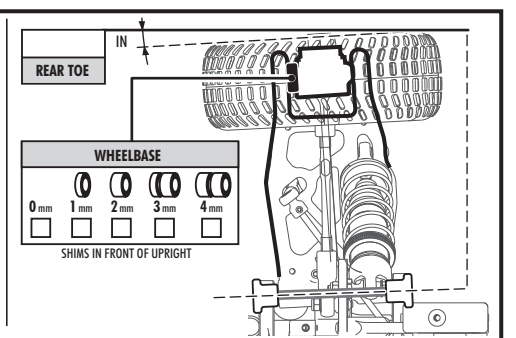
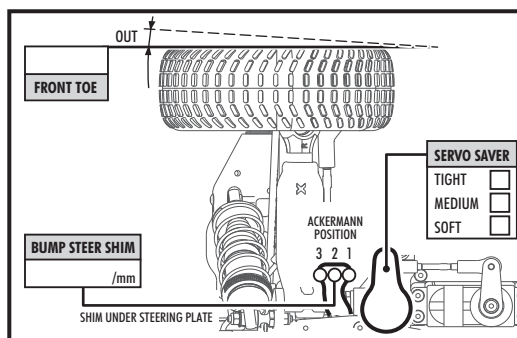
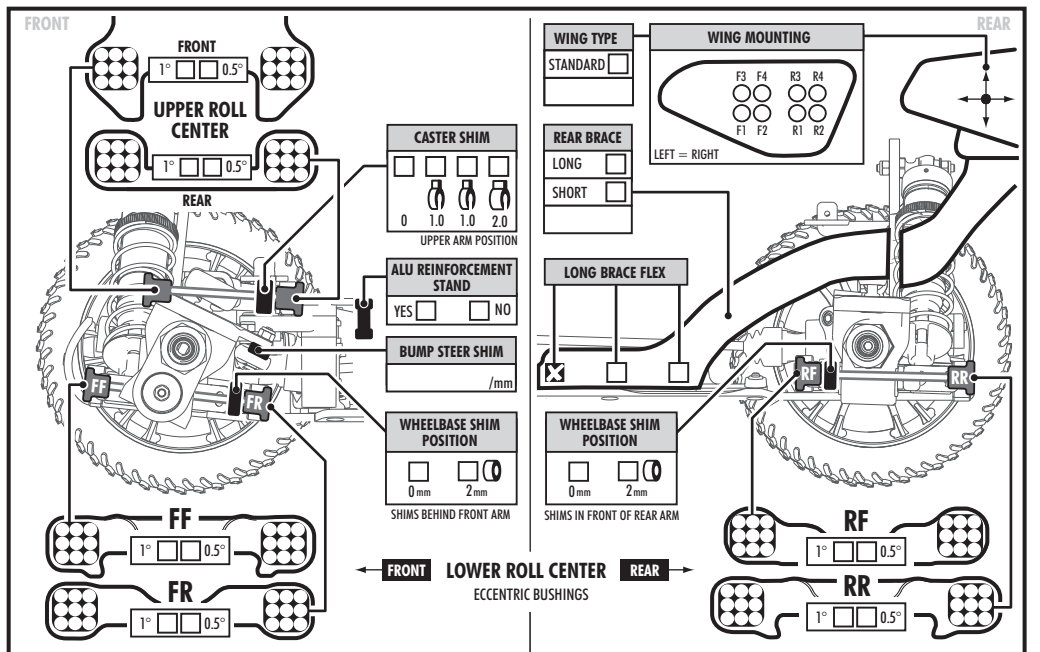
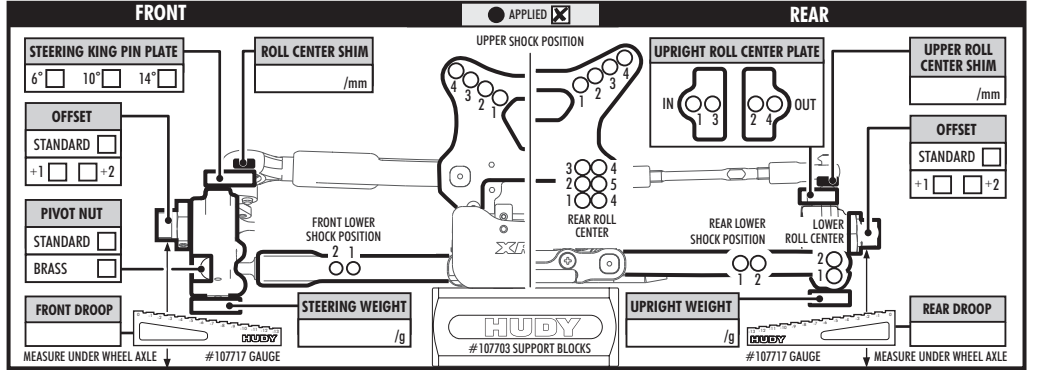
MOTOR: \_\_\_\_\_

SPEEDO: \_\_\_\_\_

BATTERIES: \_\_\_\_\_

### BODY

TYPE: \_\_\_\_\_



COMMENTS: \_\_\_\_\_